

Installation Instructions

Auto-lift Powered by AMP

Thank You

Thank you for choosing your Parasol® Cellular Shade
With proper installation and care, your new shades will provide many years of beauty and performance.

Before Installing

Remove shade from the package. Keep all packaging until shade operates to your satisfaction. Contents of your hardware package may vary depending on options chosen.
Additional fasteners may be needed on your specific mounting surface (not included).

Tools Needed



Pencil



Screw Driver



Level

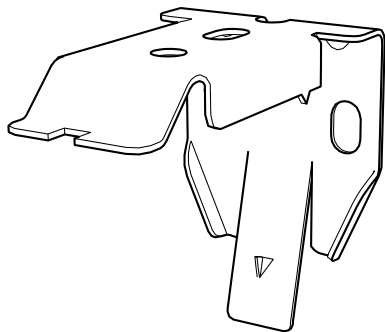


Measuring tape

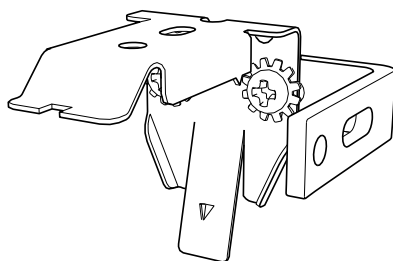


Drill

1 Determine Bracket Location

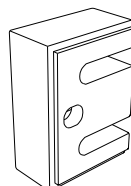


Your Shades come with the appropriate number of brackets for your shade and can be installed either Inside Mount or Outside Mount

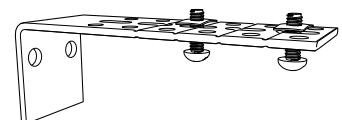


End Mount Brackets require additional steps during installation.

Your shade may have come with Spacer Blocks or Extension Brackets. Additional steps may be required.



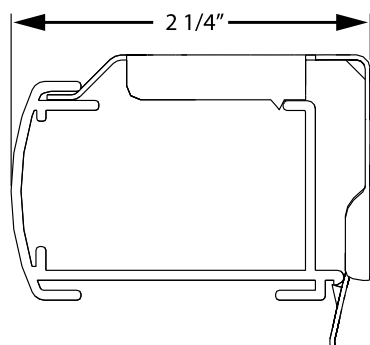
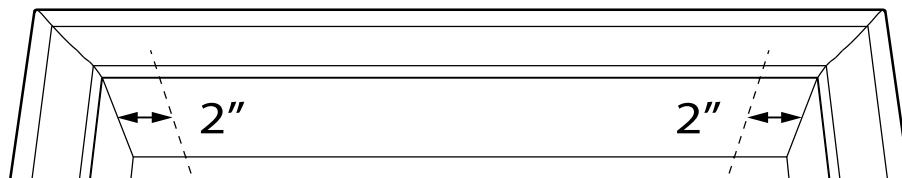
Spacer Block



Extension Bracket

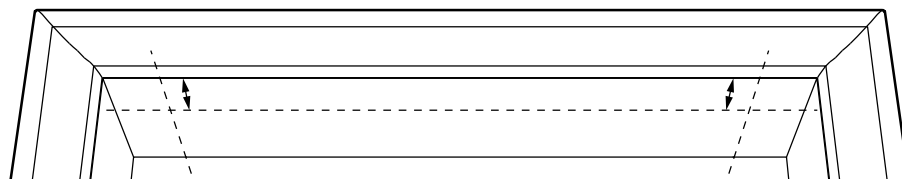
INSIDE MOUNT

Measure in from Both sides 2"

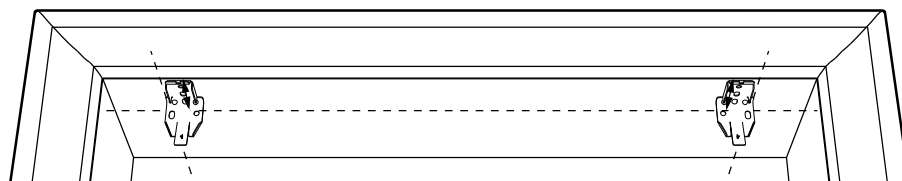


For fully recessed installation measure brackets from the back of the Bracket to the front of the Headrail

Measure on Both sides from the front of the window opening to the depth you want and make a mark

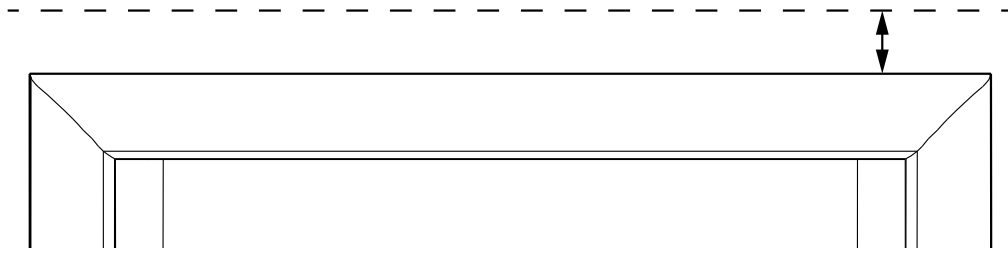


Mark location of both screw holes in the brackets lined up on the lines and pre-drill with a 1/8" drill bit

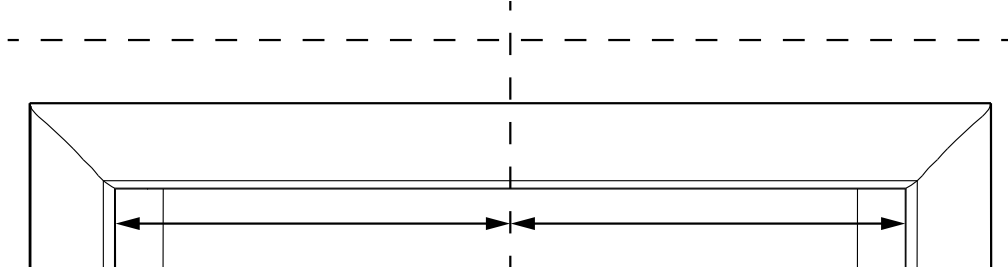


OUTSIDE MOUNT

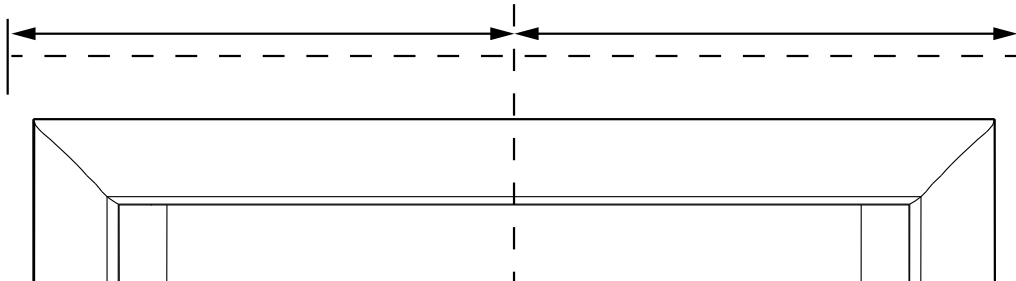
Determine height placement of blind and make a level line above the window opening



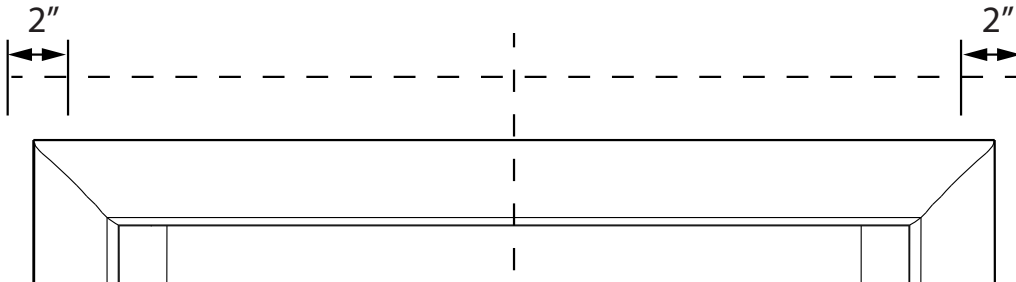
Find the center of the window opening and mark the location on your height line



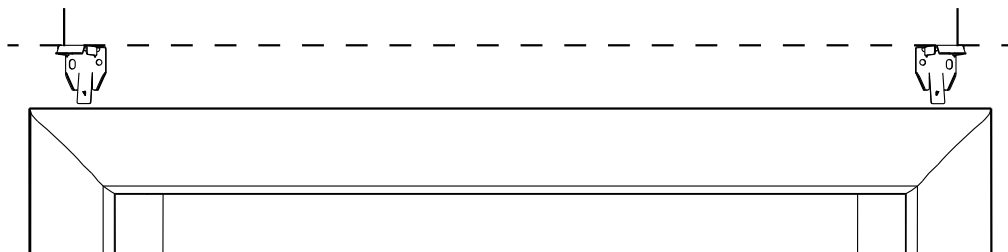
Mark lines at half the ordered width from both sides of the center line



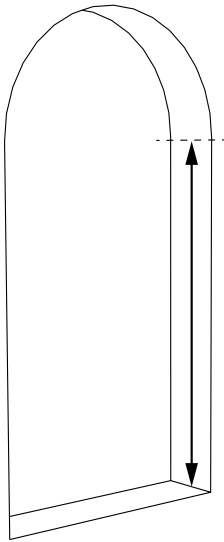
Measure 2" in from each end to determine Bracket Location



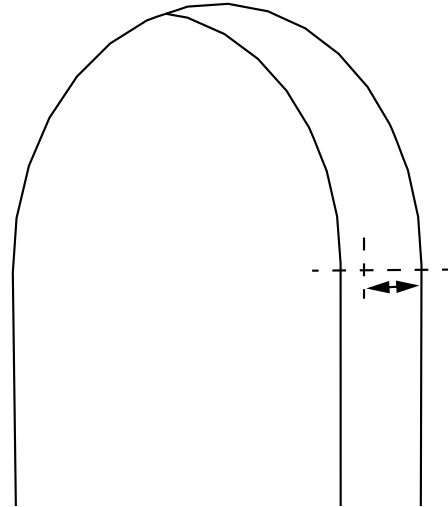
Mark location of both screw holes in the brackets lined up on the lines and pre-drill with a 1/8" drill bit



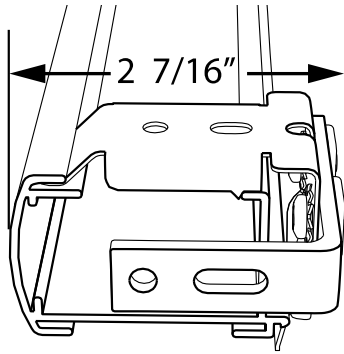
END MOUNT



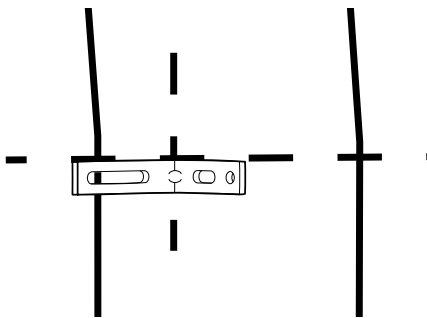
Measure from the bottom of the window opening to the ordered height and draw a level line



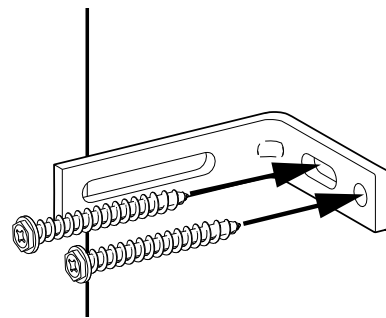
Set the depth using the graphic below to set the depth for fully recessed shades



For fully recessed installation measure brackets from the back of the Bracket to the front of the Headrail



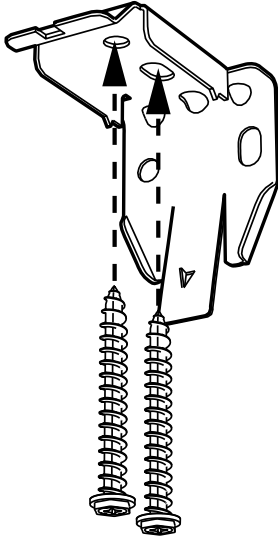
Make sure L Bracket is plumb and level on marked lines



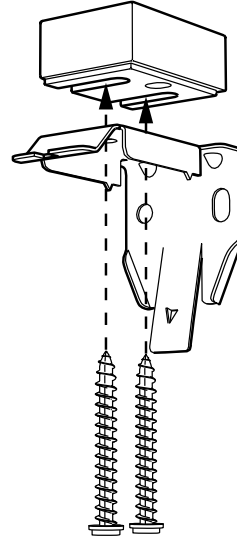
Attach L Bracket to frame with 2 screws

2 Install Brackets

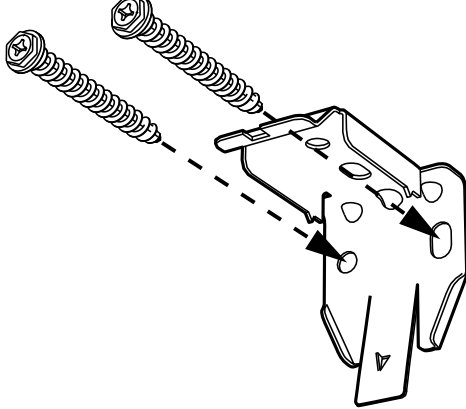
INSIDE



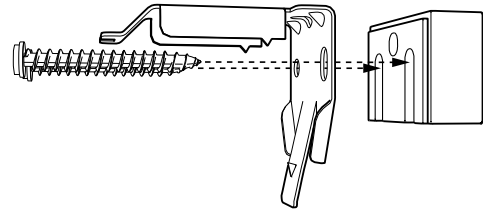
SPACER BLOCK (optional)



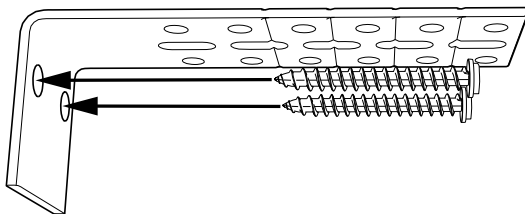
OUTSIDE



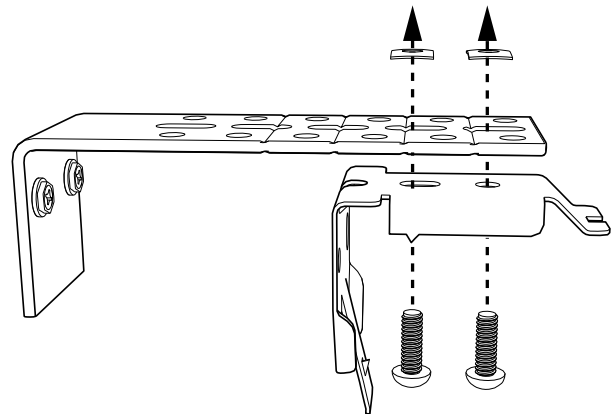
SPACER BLOCK (optional)



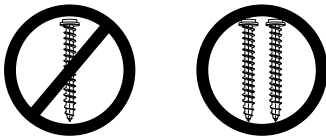
EXTENSION BRACKET (optional)



Use the marks made from bracket placement to line up the Extension Bracket and secure with 2 screws



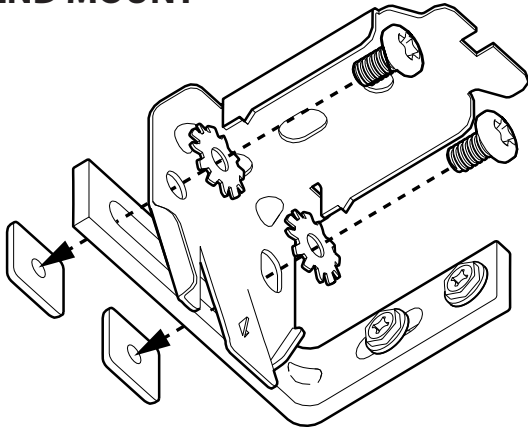
Position the Installation Bracket on the Extension Bracket where you want it and secure with bolts with the locking nuts on the top of the Bracket



IMPORTANT: Two screws are needed to attach each installation bracket

IMPORTANT: Brackets must be level and plumb to each other to ensure proper operation
Some shimming may be required

END MOUNT



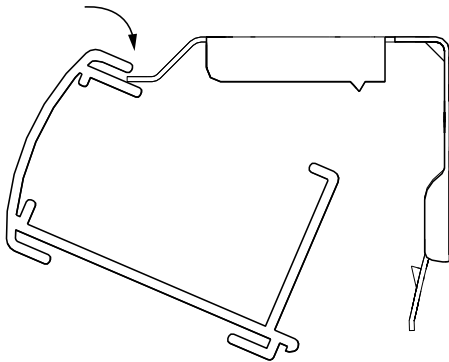
Insert bolts through Lock Washers

Insert through Shade Bracket

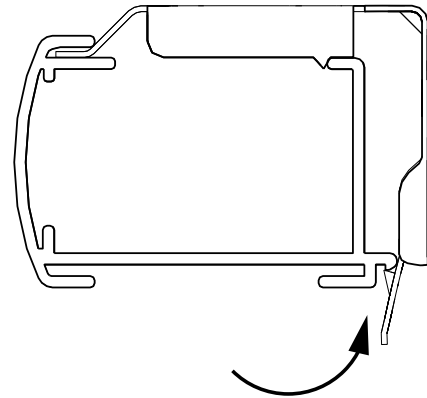
Insert through L Bracket

Insert into Square Nuts and tighten down

3 Install Shade



Rest lip of the front of the headrail on the front of the bracket

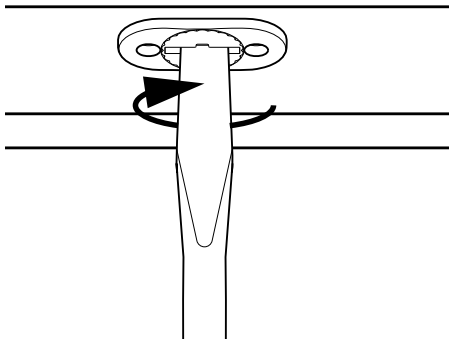


Rotate headrail into the into the bracket until it snaps into place

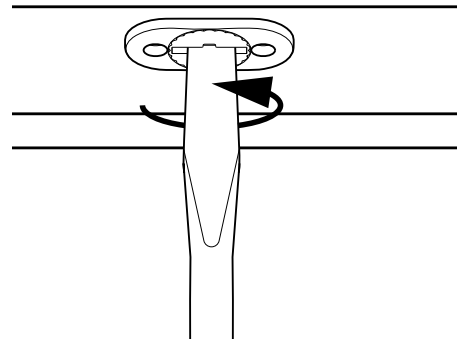
Follow Pairing instructions to Operate the Shade

Level the Bottom Rail (if necessary)

Locate adjustment screws on the bottom of the headrail



Rotate Clockwise to raise



Rotate Counter-Clockwise to lower

Continue adjusting until shade hangs level