

## Installation Instructions

Open Roll

SL Clutch, Accu-Rise, and Motorized

### Thank You

Thank you for choosing your Genesis® Custom Window Shades  
With proper installation and care, your new shades will provide many years of beauty and performance.

### Before Installing

Remove shade from the package. Keep all packaging until shade operates to your satisfaction. Contents of your hardware package may vary depending on options chosen. Additional fasteners may be needed on your specific mounting surface (not included).

### Tools Needed



Pencil



Screw Driver



Level

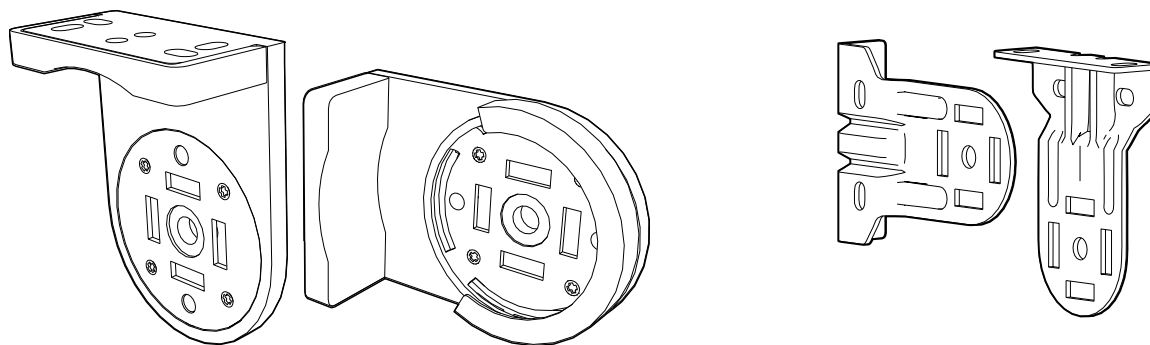


Measuring tape



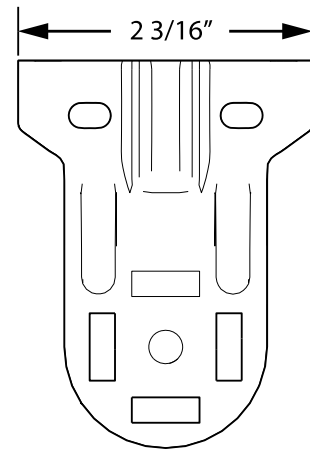
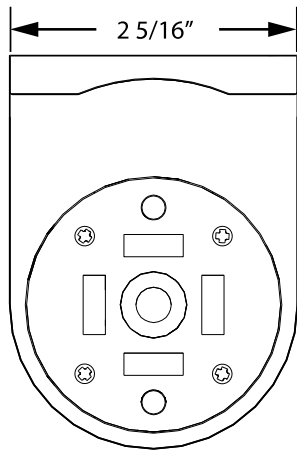
Drill

## 1 Determine Bracket Location

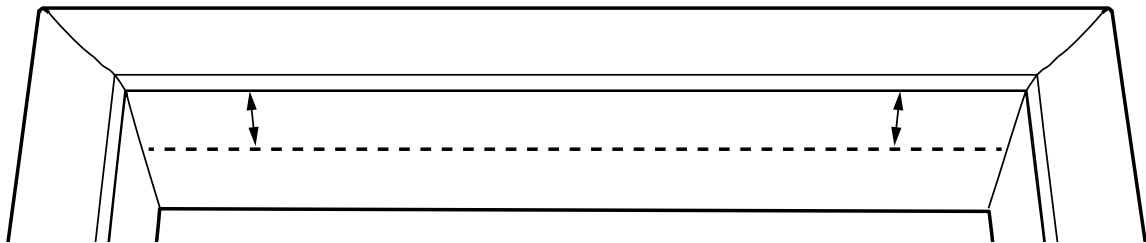


Your Shades come with 2 brackets for your shade  
and can be installed either  
Inside Mount, Outside Mount, or Ceiling Mount

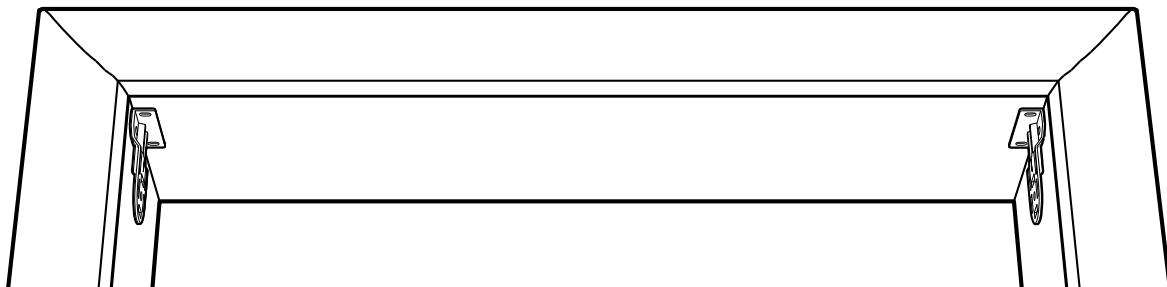
# INSIDE MOUNT



For fully recessed installation, use the measurements from the depths of the brackets



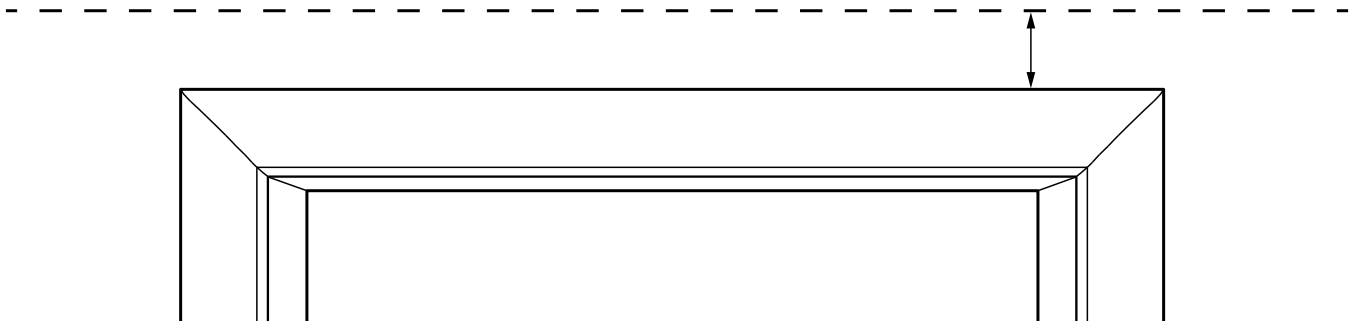
Measure on Both sides from the front of the window opening to the depth you want and make a mark



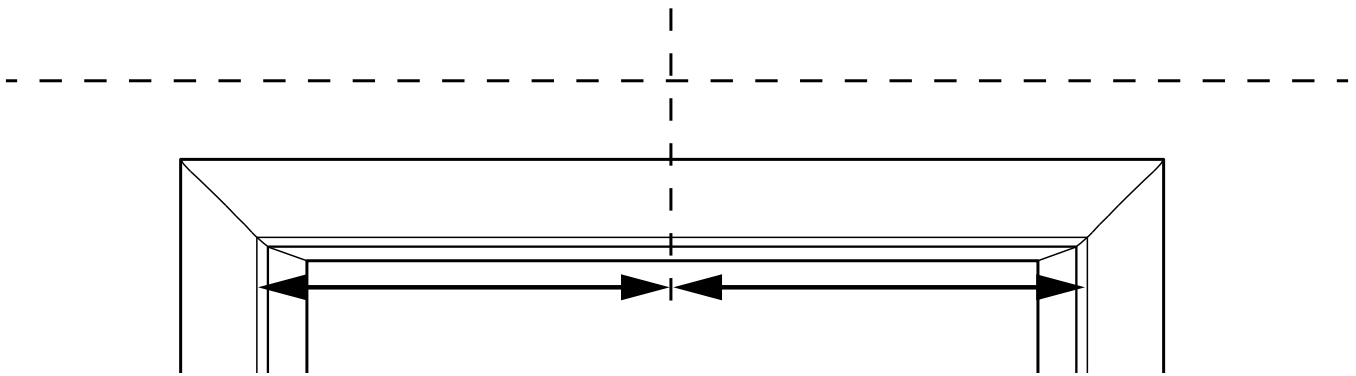
Mark location of both screw holes in the brackets lined up on the lines and pre-drill with a 1/8" drill bit

# OUTSIDE MOUNT

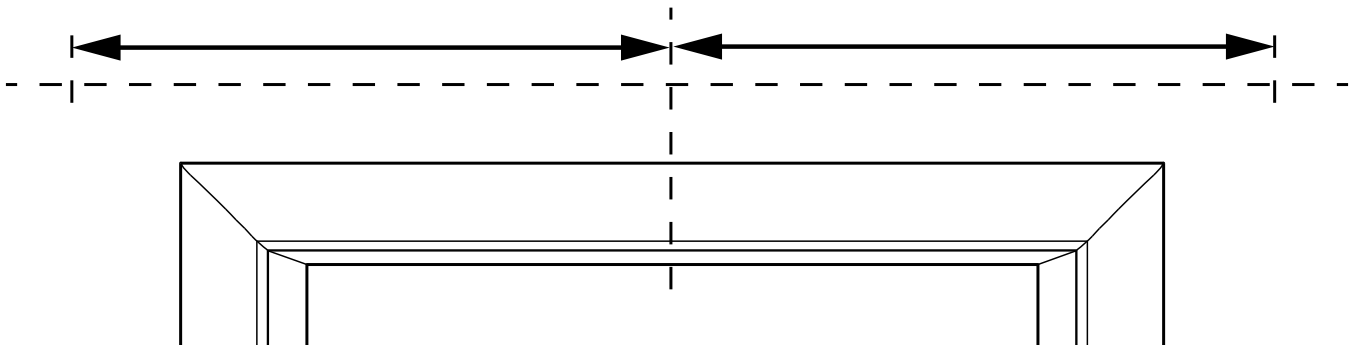
Determine height placement of blind and make a level line above the window opening



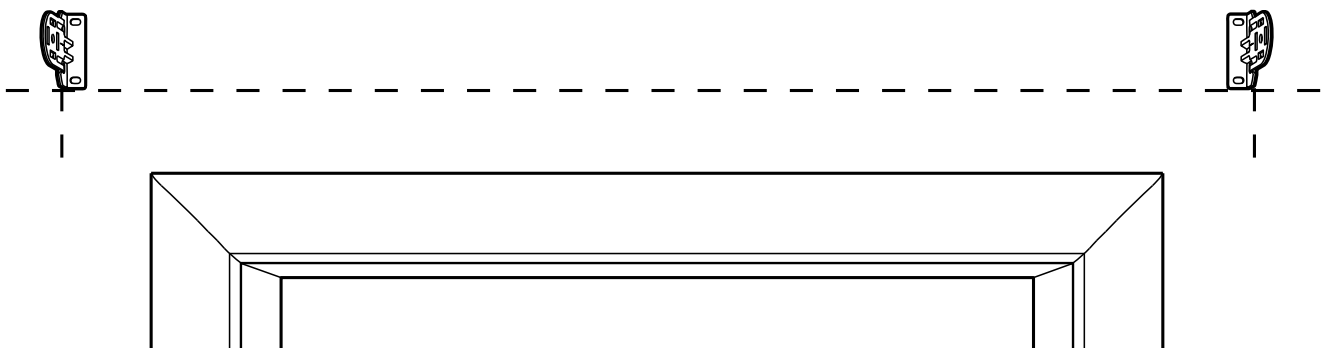
Find the center of the window opening and mark the location on your height line



Mark lines at half the ordered width from both sides of the center line



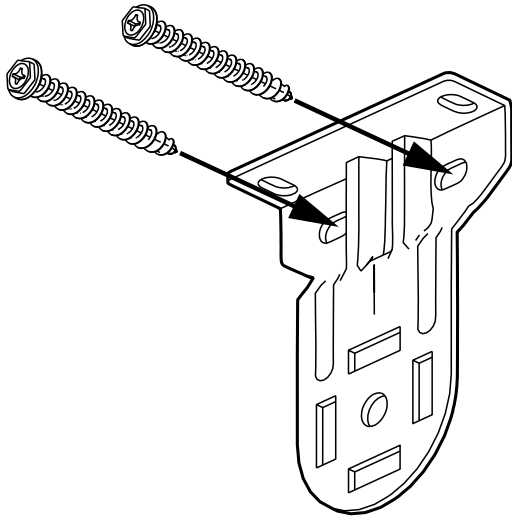
Mark location of both screw holes in the brackets lined up on the lines and pre-drill with a 1/8" drill bit



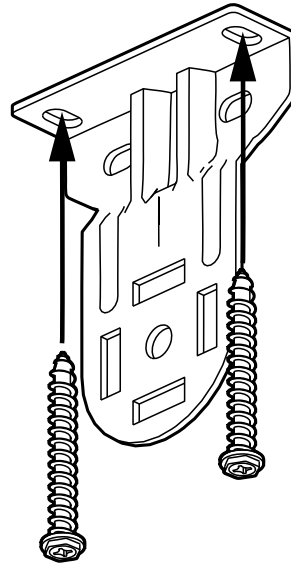
## 2 Install Brackets

### SL BRACKETS

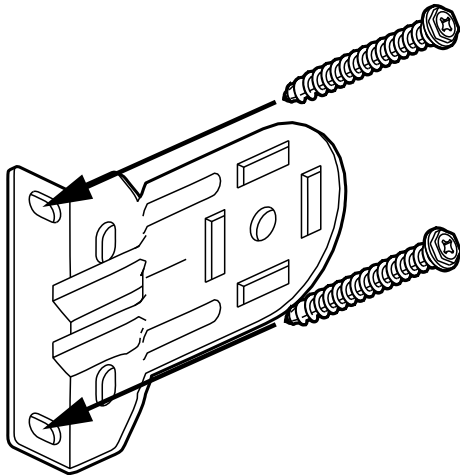
INSIDE



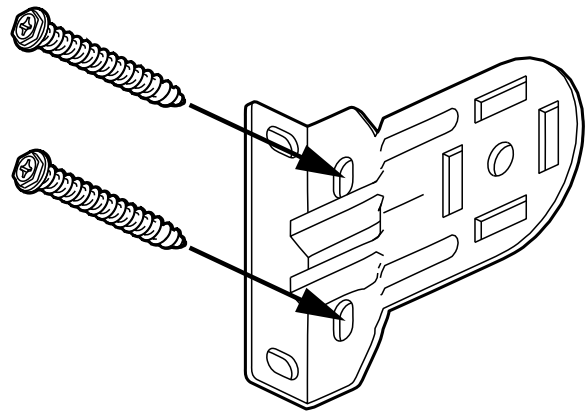
CEILING



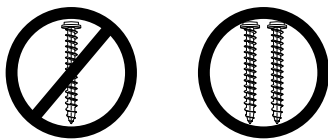
OUTSIDE



PARTIAL OUTSIDE



Use the same process for the both sides



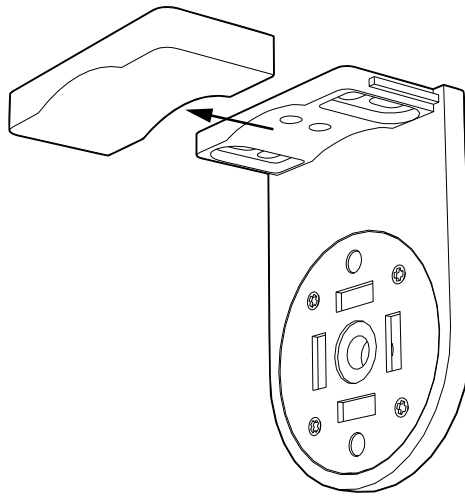
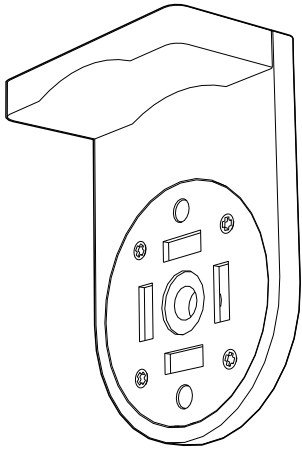
**IMPORTANT:** Two screws are needed to attach each installation bracket

**IMPORTANT:** Brackets must be level and plumb to each other to ensure proper operation  
Some shimming may be required

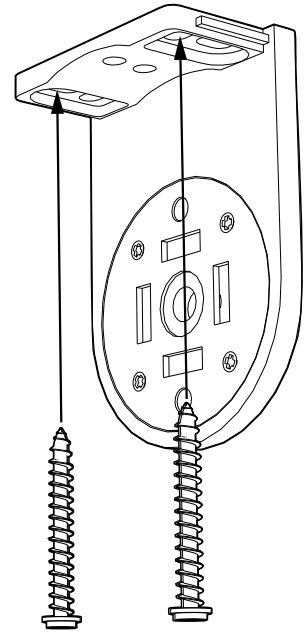
## 2 Install Brackets

### NOUVEAU BRACKETS

#### INSIDE

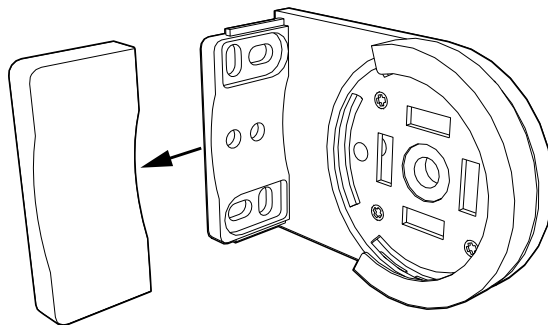
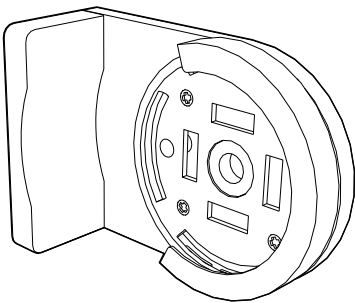


Remove Decorative Cover

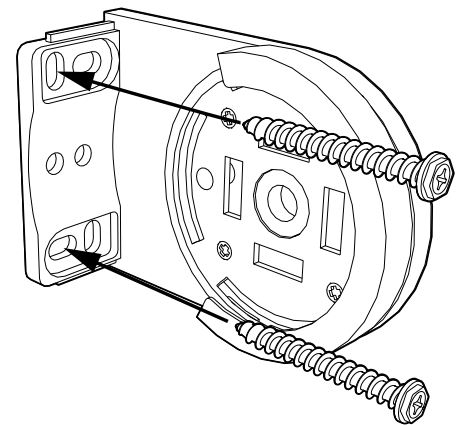


Use 2 Screws to attach to mounting surface

#### OUTSIDE



Remove Decorative Cover



Use 2 Screws to attach to mounting surface

Use the same process for the both sides

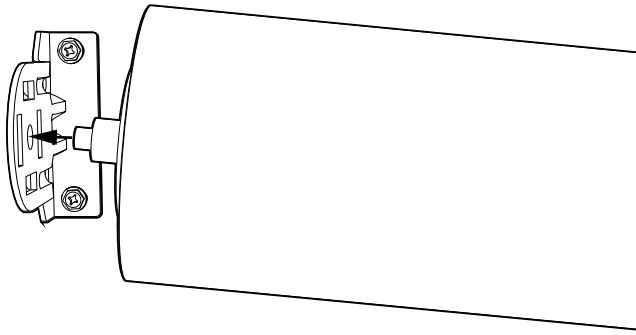
**IMPORTANT:** Brackets must be level and plumb to each other to ensure proper operation  
Some shimming may be required



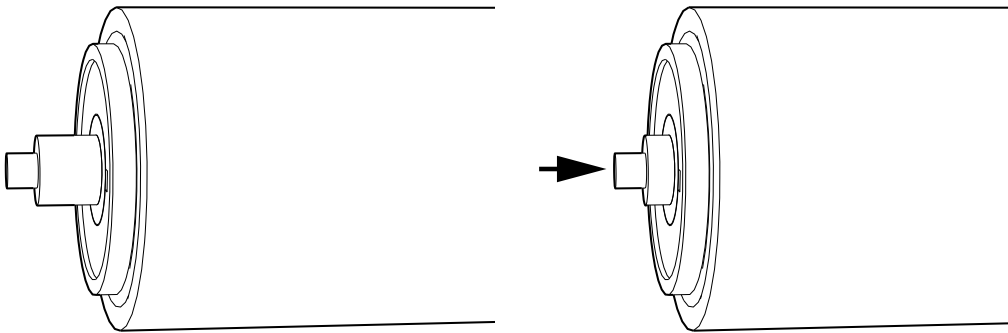
**IMPORTANT:** Two screws are needed to attach each installation bracket

### 3 Install Shade

#### Idle End

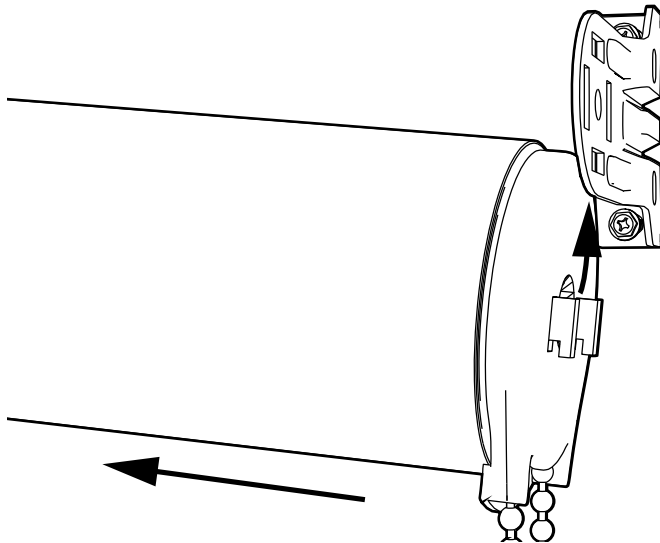


Insert Idler end into hole in the middle of the Bracket



Idler End is spring loaded and will depress

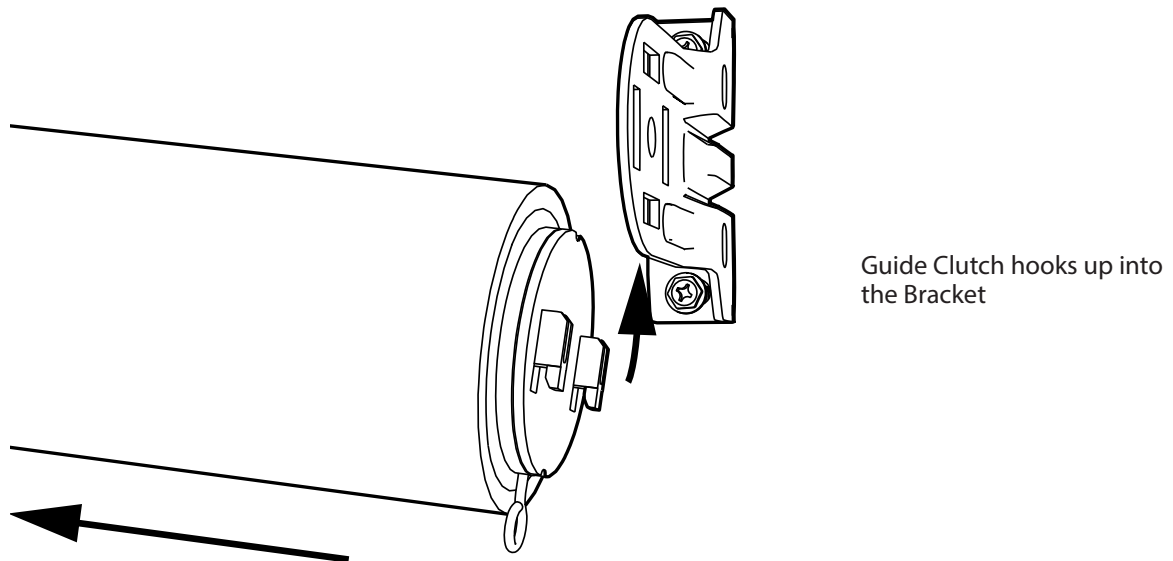
#### Clutch End



Guide Clutch hooks up into the Bracket

Support shade in the middle and Push into the Idler End of the shade to depress the idler to clear the Clutch Side Bracket

## Accu-Rise (WITH PIN)

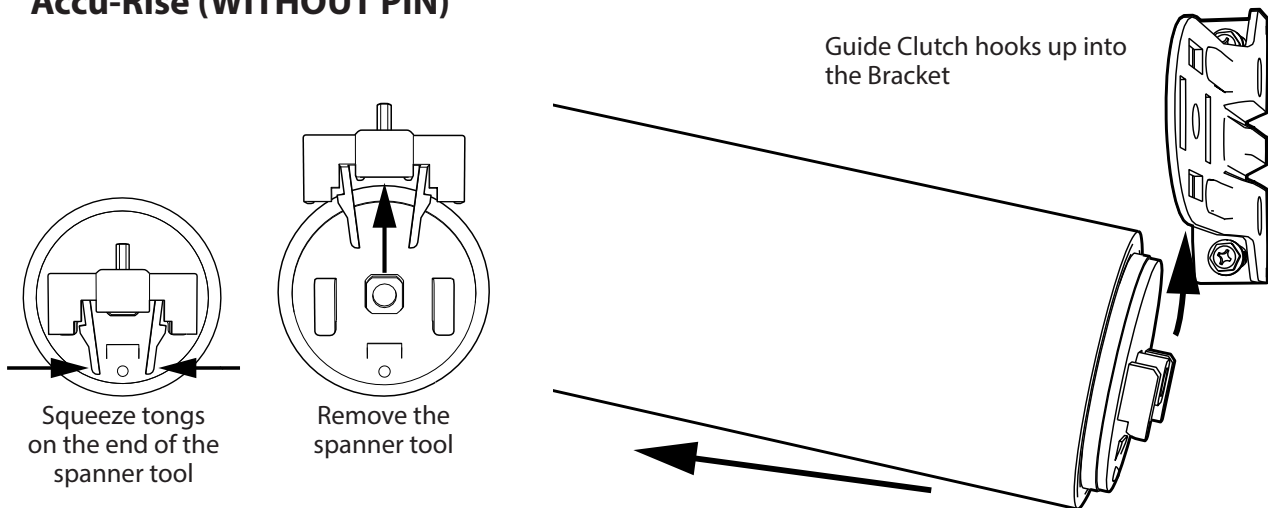


Support shade in the middle and Push into the Idler  
End of the shade to depress the idler to clear the  
Clutch Side Bracket



**CAUTION: DO NOT REMOVE PIN**  
until shade is fully seated in brackets or shade will become inoperable

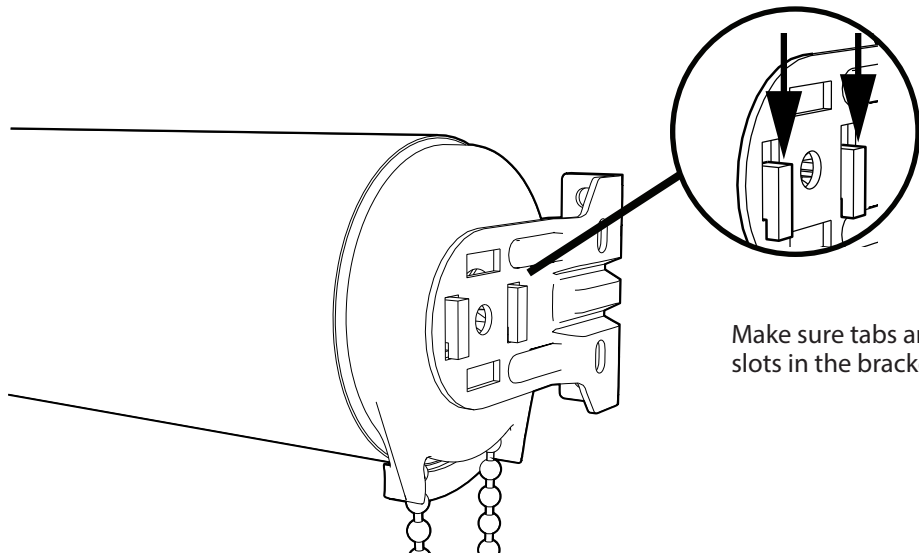
## Accu-Rise (WITHOUT PIN)



**Do not discard Spanner Tool**

Support shade in the middle and Push into the Idler  
End of the shade to depress the idler to clear the  
Clutch Side Bracket

Button in the center of the Accu-Rise will Depress when installed in  
the Fascia Bracket and shade will become operational



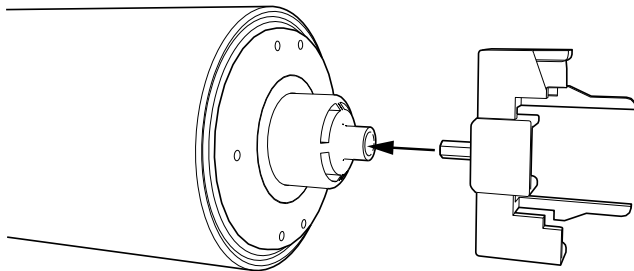
Make sure tabs are fully seated onto the slots in the bracket



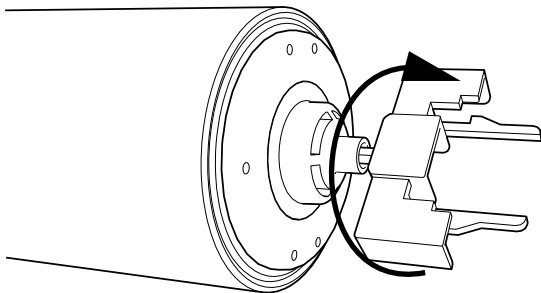
**CAUTION: Accu-Rise Pinless Shades will require snapping into place and require more force than the other products**

### ACCU-RISE (PINLESS)

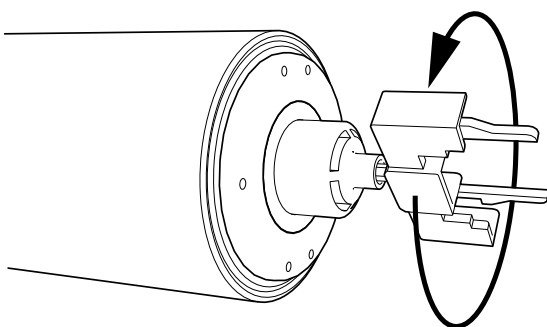
If shade is too loose or too tight in the Brackets the Idle End of the Accu-Rise Pinless lifting system can be adjusted



Insert Spanner tool into the Idler End

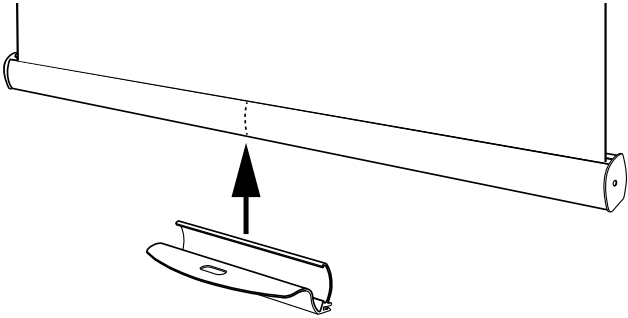


Rotate Spanner Tool Clockwise to shorten the Idle End to allow more clearance



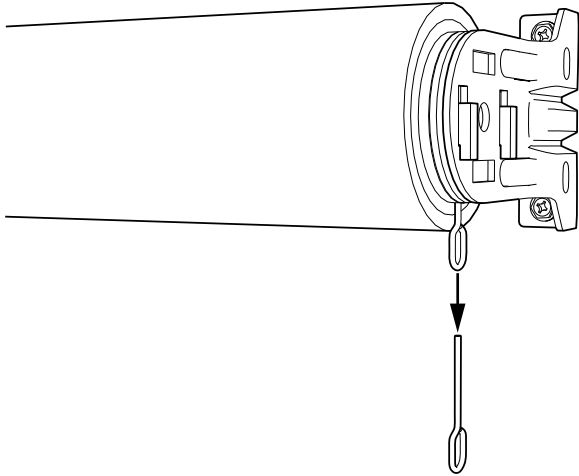
Rotate Spanner Tool Counter-Clockwise to lengthen the Idle End

### Install Accu-Rise Handle



Find Center of bottom Rail and snap on the Accu-Rise Handle

### Remove Accu-Rise Pin



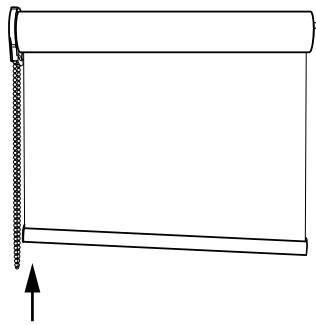
With the shade secured, remove the Accu-Rise Pin and do not discard



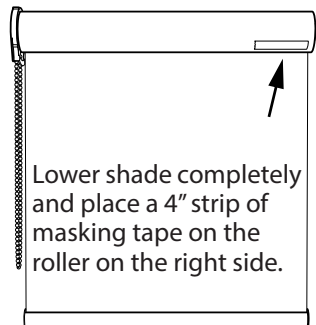
**CAUTION: DO NOT DISCARD PIN**  
Pin must be reinserted before removal from brackets or shade will become inoperable

## Operate shade after installation to ensure proper operation

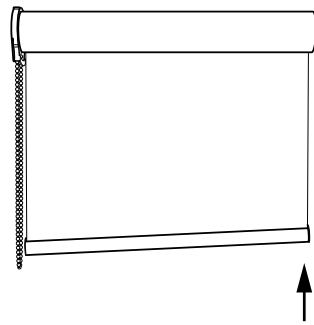
If shade Skews some Shimming may be required



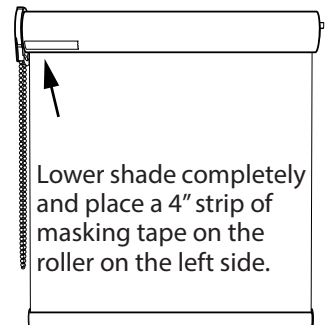
If shade skews up on the left side



Lower shade completely and place a 4" strip of masking tape on the roller on the right side.



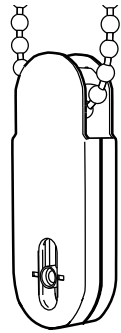
If shade skews up on the right side



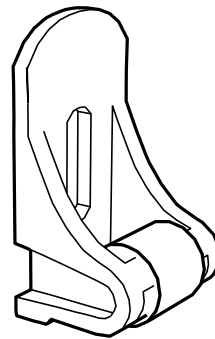
Lower shade completely and place a 4" strip of masking tape on the roller on the left side.

Repeat as necessary until a straight roll is achieved

## 4 Install Cord Tensioner, Hold Down, Chain Stop

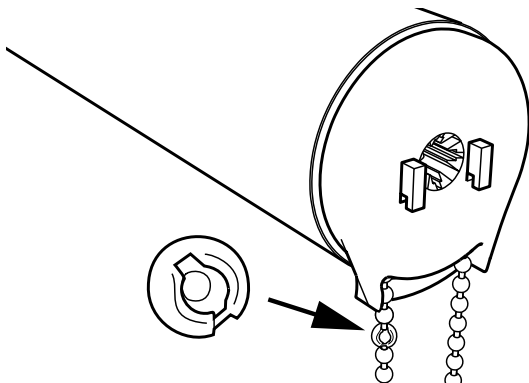


See Cord Tension Lock installation instructions



See Hold Down installation instructions

**IMPORTANT:** Cord tensioners must be properly installed and secured



Lower Shade to desired length.

On the front of the chain directly below the clutch, attach the round stop to the first bead on the chain.

This will prevent the shade from being lowered beyond the desired length.