

## Installation Instructions

Small Cassette, Modern, Modern Plus,  
Large Cassette, and Large Brushed Nickel

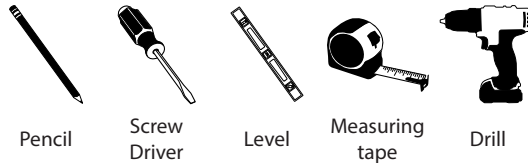
### Thank You

Thank you for choosing your Genesis® Custom Window Shades  
With proper installation and care, your new shades will provide many years of beauty and performance.

### Before Installing

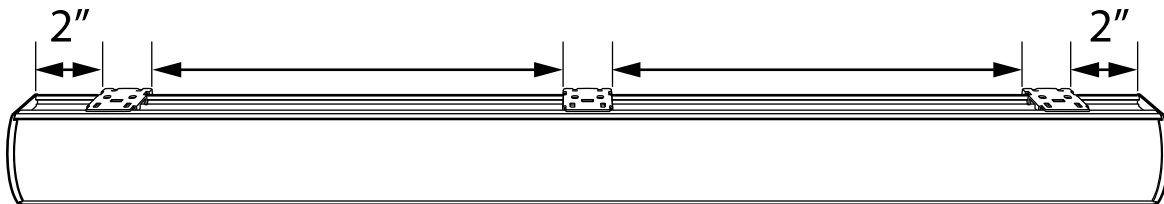
Remove shade from the package. Keep all packaging until shade operates to your satisfaction. Contents of your hardware package may vary depending on options chosen. Additional fasteners may be needed on your specific mounting surface (not included).

### Tools Needed

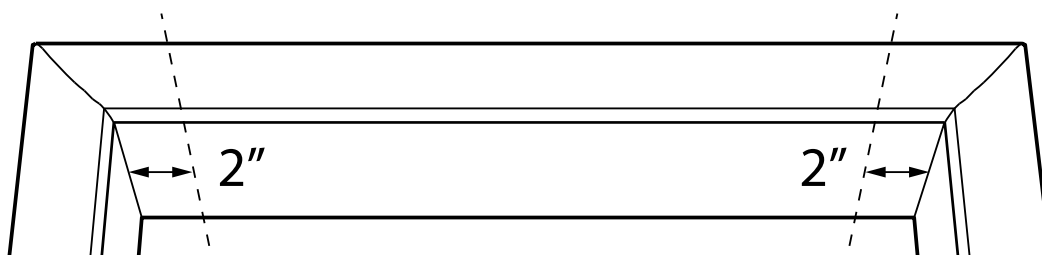


The installation process for each type of cassette follow the same general steps. Installation images will show Small Cassette installation and specific installation instructions when needed to illustrate differences in installation for different cassette types

## 1 Determine Bracket Location

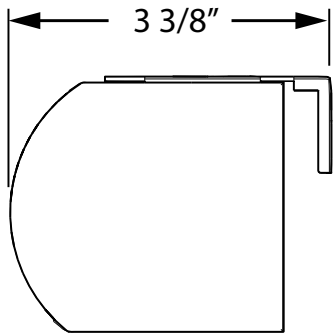


Brackets must be no more than 2" in from each end  
Space additional brackets evenly between the end brackets

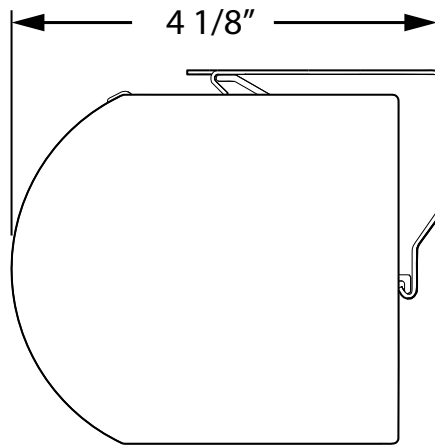


Measure in from Both sides 2"

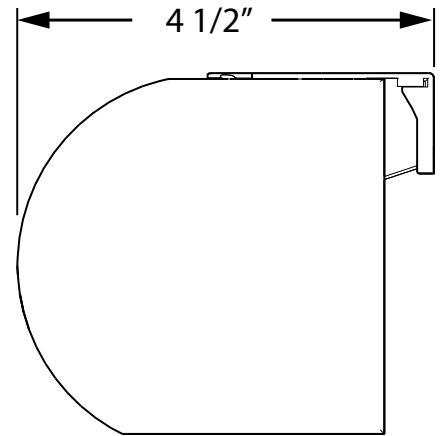
# INSIDE MOUNT



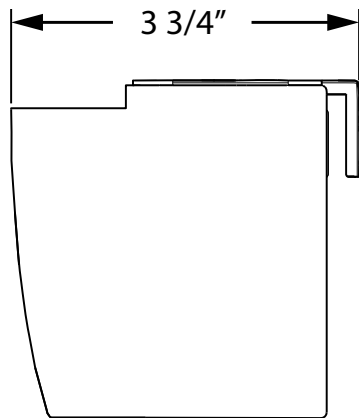
**Small Cassette**



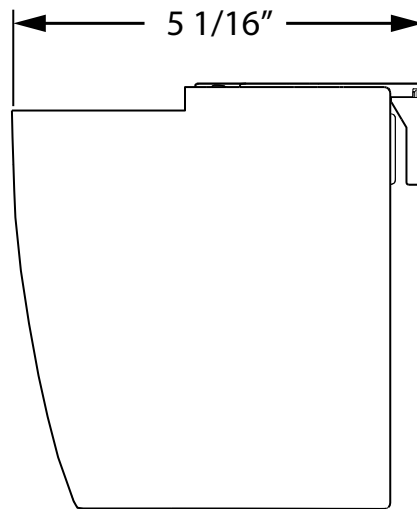
**Large Cassette**



**Large Brushed Nickel Cassette**

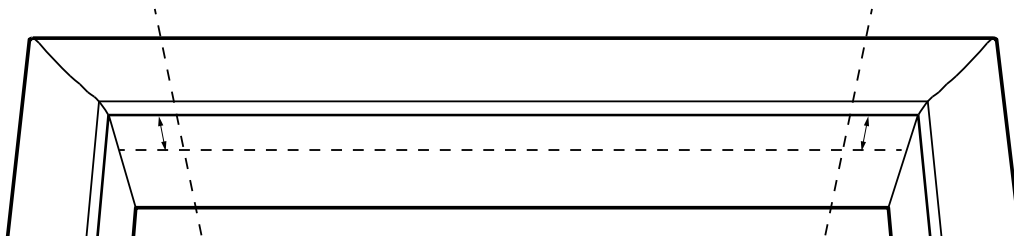


**Modern Cassette**

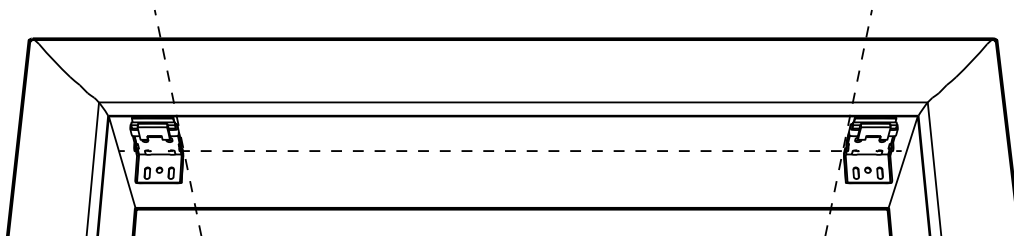


**Modern Plus Cassette**

For fully recessed installation, measure brackets from the back of the Bracket to the front of the Cassette

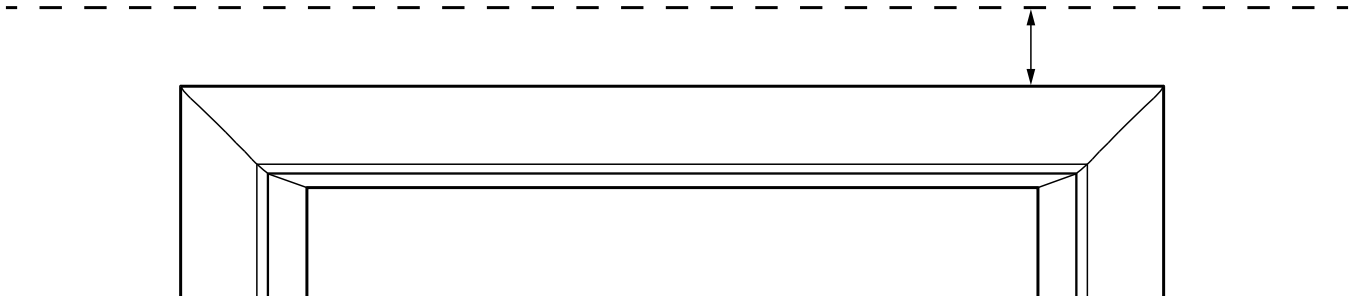


Measure on Both sides from the front of the window opening to the depth you want and make a mark

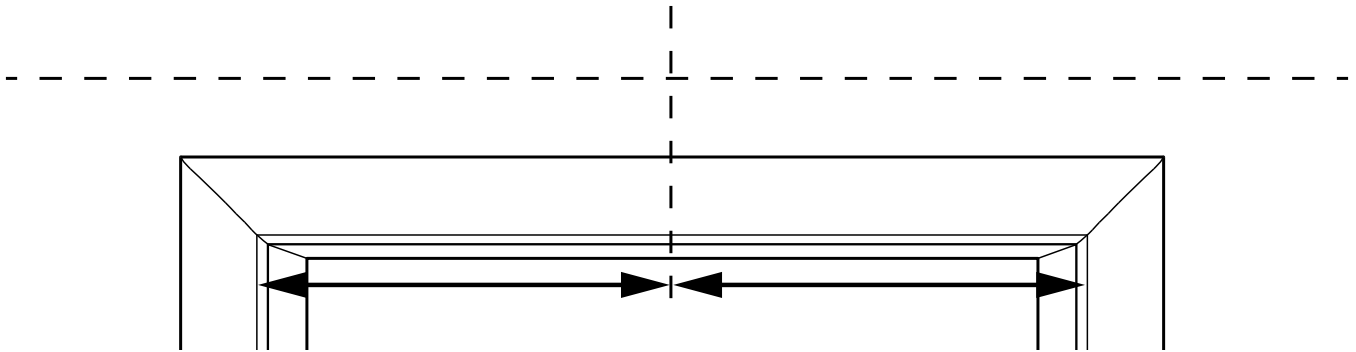


Mark location of both screw holes in the brackets lined up on the lines and pre-drill with a 1/8" drill bit

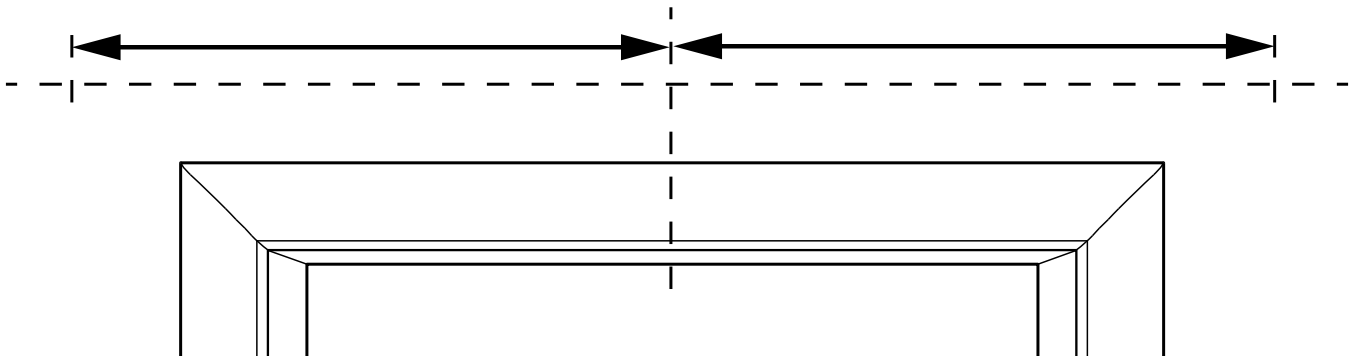
# OUTSIDE MOUNT



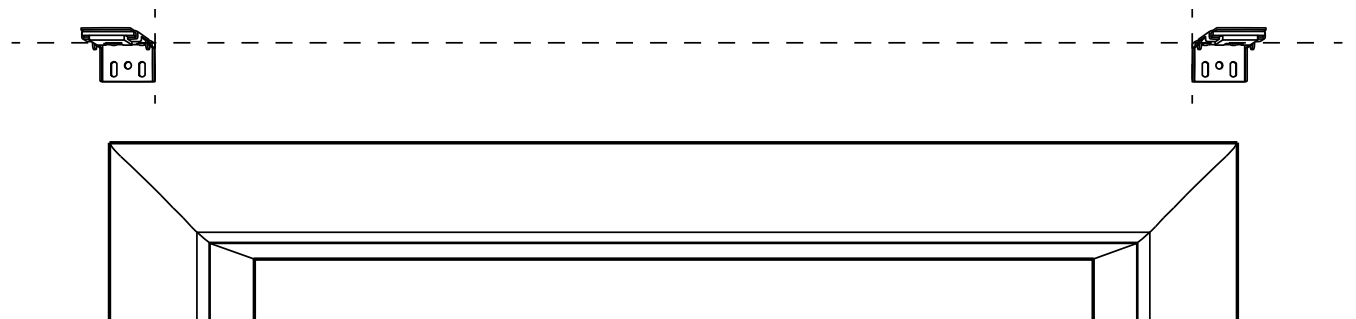
Determine height placement of shade and make a level line above the window opening



Find the center of the window opening and mark the location on your height line



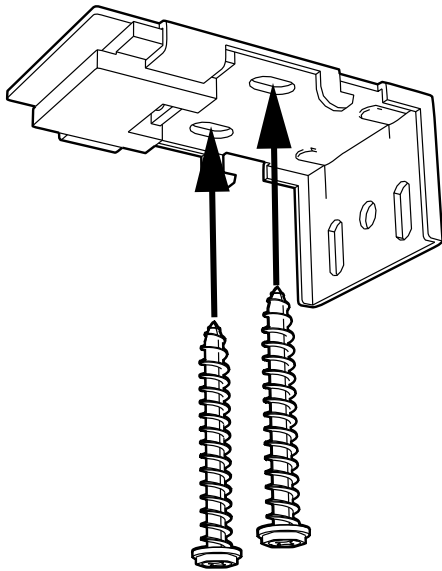
Mark lines at half the ordered width from both sides of the center line



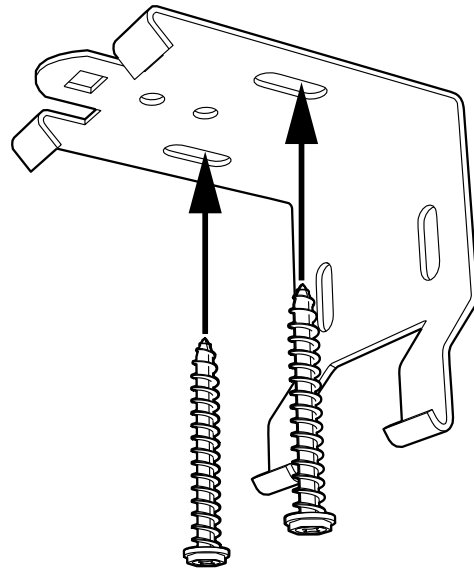
Mark location of screw holes in the brackets lined up on the lines and pre-drill with a 1/8" drill bit

## 2 Install Brackets

### INSIDE MOUNT

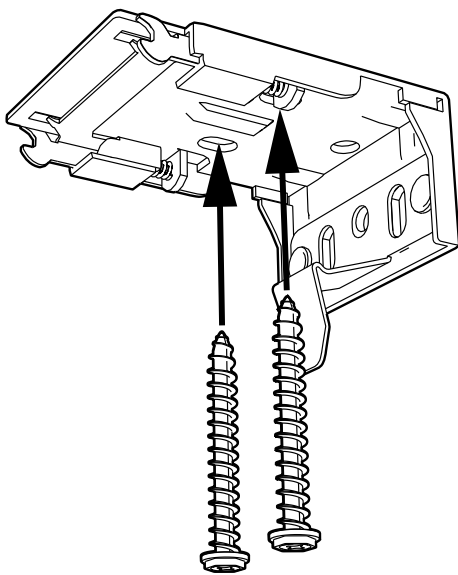


**Small Cassette**

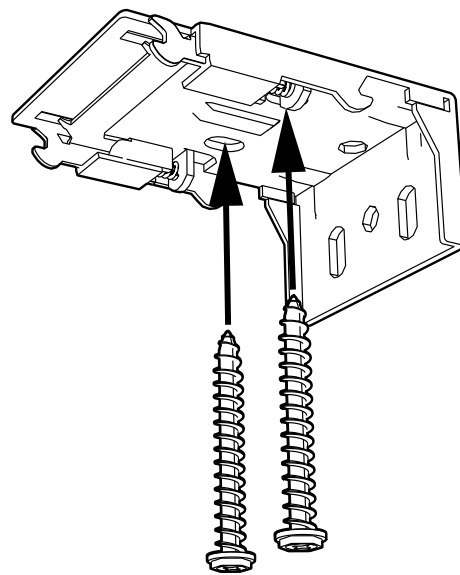


**Large Cassette**

**Modern Cassette**

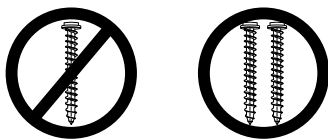


**Large Brushed Nickel Cassette**



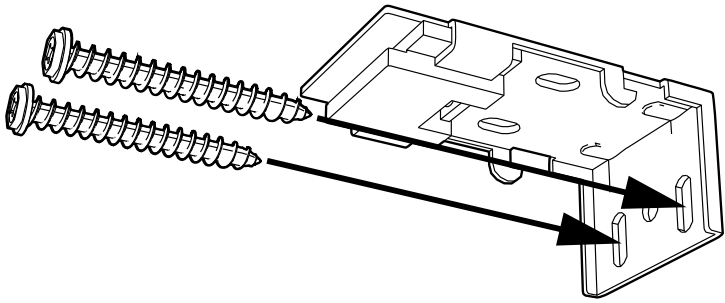
**Modern Plus Cassette**

Use the same process for both sides.



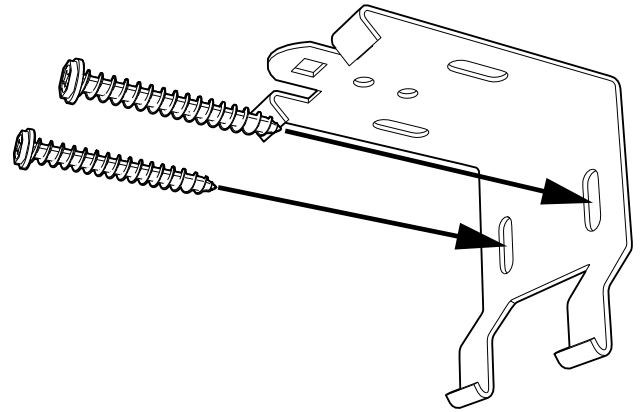
**IMPORTANT:** Two screws are needed to attach each installation bracket

# OUTSIDE MOUNT

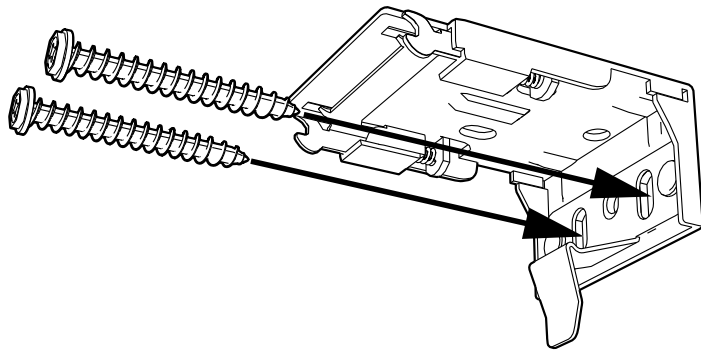


**Small Cassette**

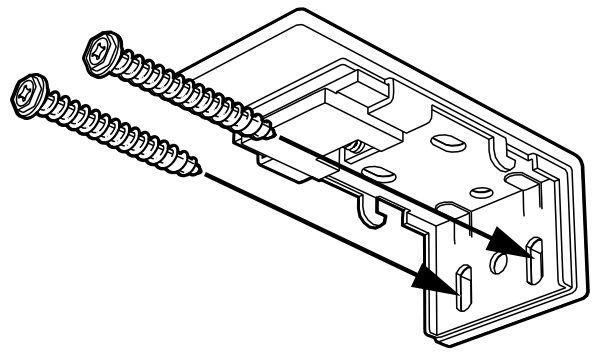
**Modern Cassette**



**Large Cassette**



**Large Brushed Nickel Cassette**

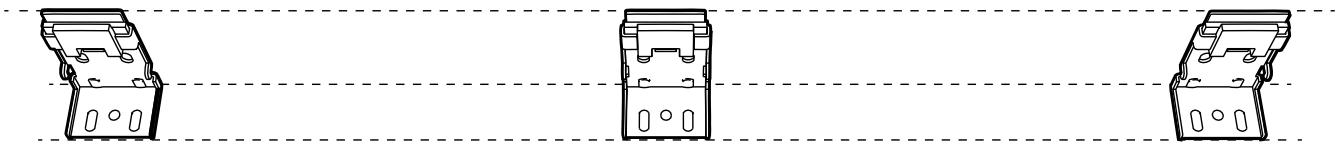


**Modern Plus Cassette**

Use the same process for both sides.



**IMPORTANT:** Two screws are needed to attach each installation bracket



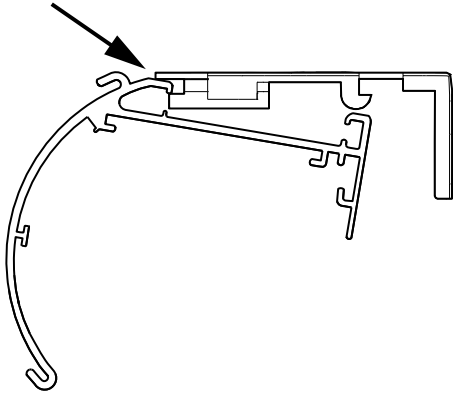
**IMPORTANT:** Brackets must be Level and Aligned.  
Some shimming may be required

### 3 Install Cassette

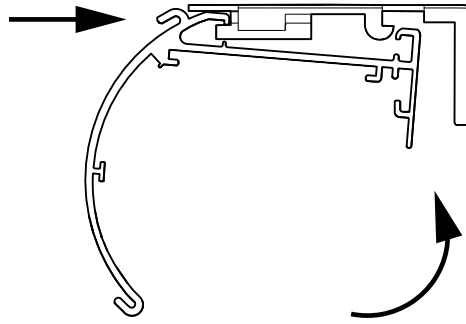
End Caps and shades removed for clarity

#### Small Cassette

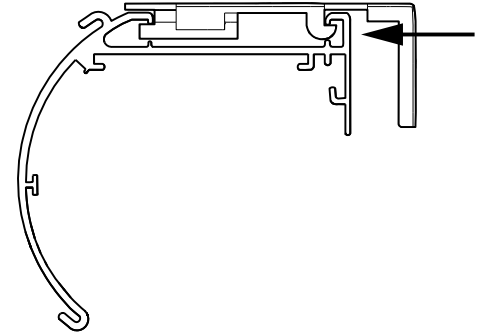
#### Modern Cassette



Rest front lip of Cassette on Metal Spring Loaded Tab on the bracket

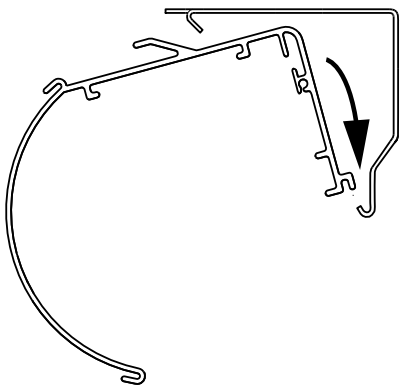


Press the Cassette into the Spring Loaded Tab and rotate the cassette up over hook on the Bracket

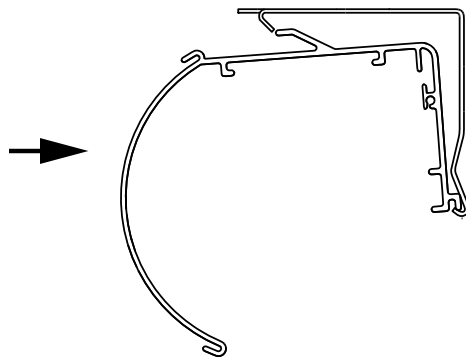


When the Cassette clears the rear hook on the bracket let the spring push the cassette into place

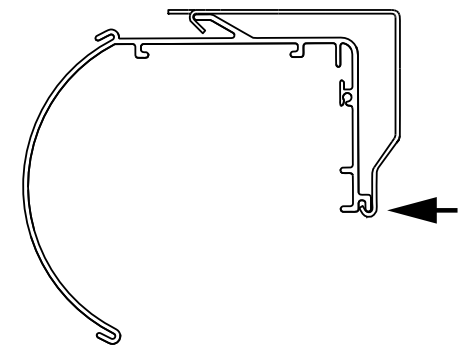
#### Large Cassette



Rest bottom lip of the Cassette on the bottom lip of the Cassette Bracket

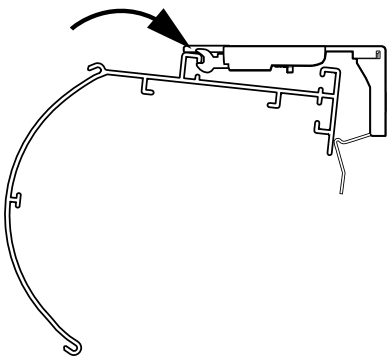


Press the Cassette into the Bracket until the Upper Slot on the Cassette clears the hook on the bracket

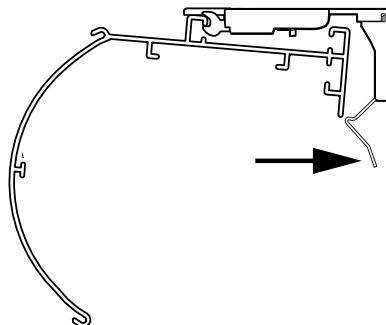


When the Cassette clears the hook on the bracket pull the bracket into place until properly seated in the bracket

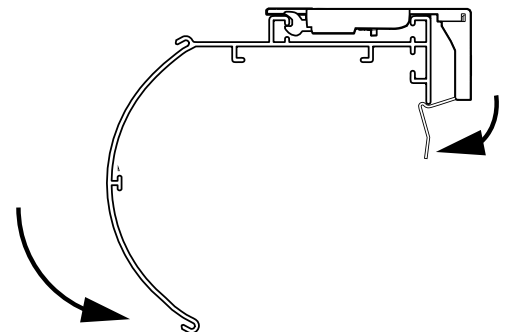
#### Large Brushed Nickel Cassette



Rest Cassette in hooks of the Bracket



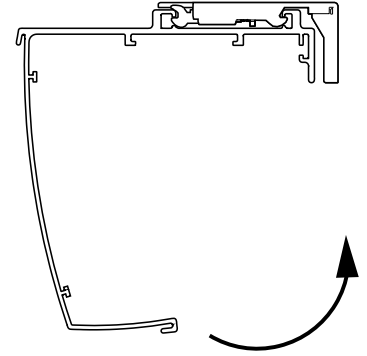
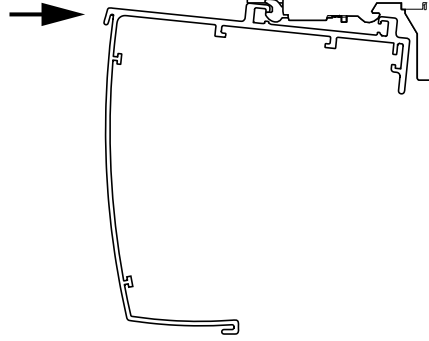
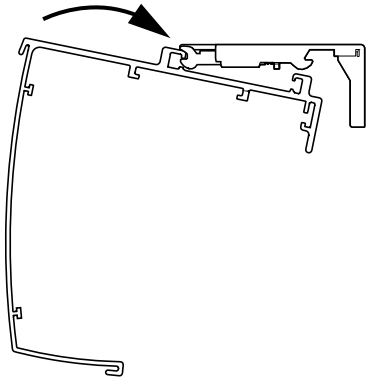
Press the Cassette against the bracket and depress spring clamp on bracket



Rotate Cassette down into the bracket until Cassette snaps in place

**Modern Plus Cassette**

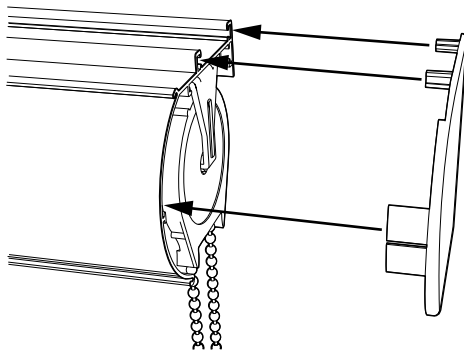
**End Caps and shades removed for clarity**



Rest Cassette in the spring loaded hooks of the Bracket

Press into the Cassette against the bracket and depress spring loaded hooks on bracket

Rotate Cassette up into the bracket until Cassette snaps in place on the rear bracket hook

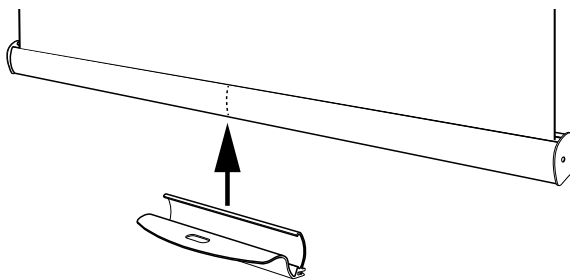


**Large cassettes require installing the end caps**

Line up the End Cap stubs with the slots on the cassette and press into place

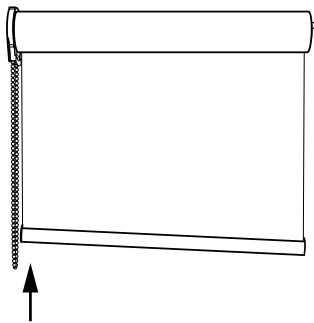
**Operate shade after installation to ensure proper operation**

**Install Accu-Rise Handle**

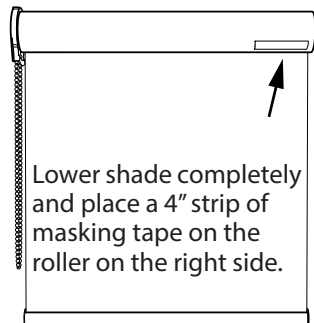


Find Center of bottom Rail and snap on the Accu-Rise Handle

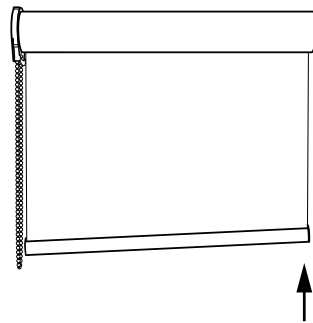
If shade Skews some Shimming may be required



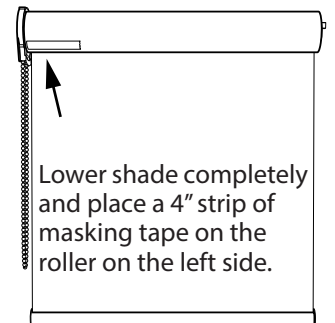
If shade skews up on the left side



Lower shade completely and place a 4" strip of masking tape on the roller on the right side.



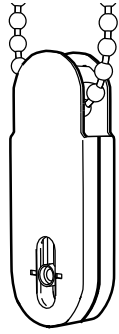
If shade skews up on the right side



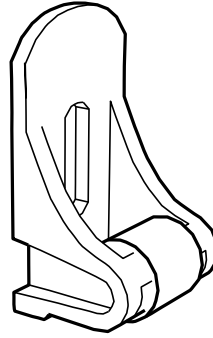
Lower shade completely and place a 4" strip of masking tape on the roller on the left side.

Repeat as necessary until a straight roll is achieved

## 4 Install Cord Tensioner, Hold Down, Chain Stop

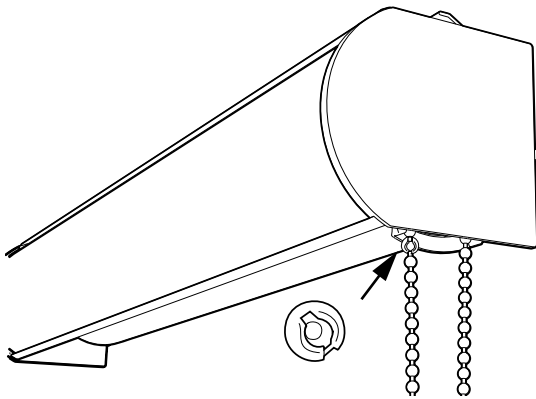


See Cord Tension Lock installation instructions



See Hold Down installation instructions

**IMPORTANT:** Cord tensioners must be properly installed and secured



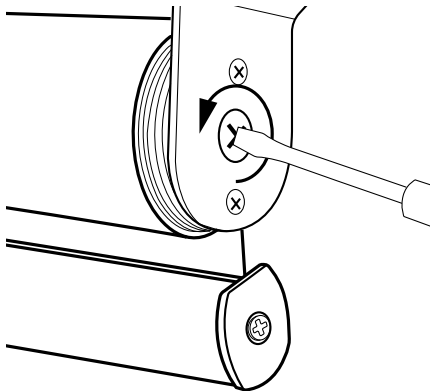
Lower Shade to desired length.

On the front of the chain directly below the clutch, attach the round stop to the first bead on the chain.

This will prevent the shade from being lowered beyond the desired length.

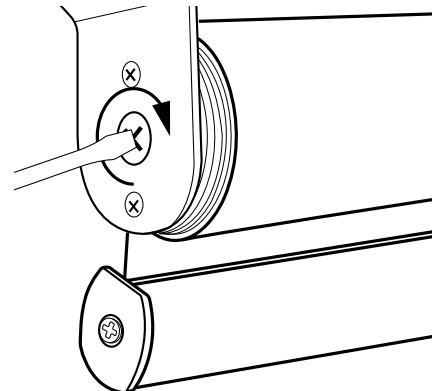
### EZ LIFT Adjust Tension

Remove End Cap and locate adjustment screws



If Adjustment Screw is on the right, the tension is set Clockwise

Start with a Quarter Turn and then raise and lower to check tension until proper tension is achieved



If Adjustment Screw is on the left, the tension is set Counter Clockwise

Start with a Quarter Turn and then raise and lower to check tension until proper tension is achieved