

## Installation Instructions

### Board Mount

### SL Clutch, Accu-Rise, and Motorized

### Thank You

Thank you for choosing your Genesis® Custom Window Shades  
With proper installation and care, your new shades will provide many years of beauty and performance.

### Before Installing

Remove shade from the package. Keep all packaging until shade operates to your satisfaction. Contents of your hardware package may vary depending on options chosen. Additional fasteners may be needed on your specific mounting surface (not included).

### Tools Needed



Pencil



Screw Driver



Level



Measuring tape

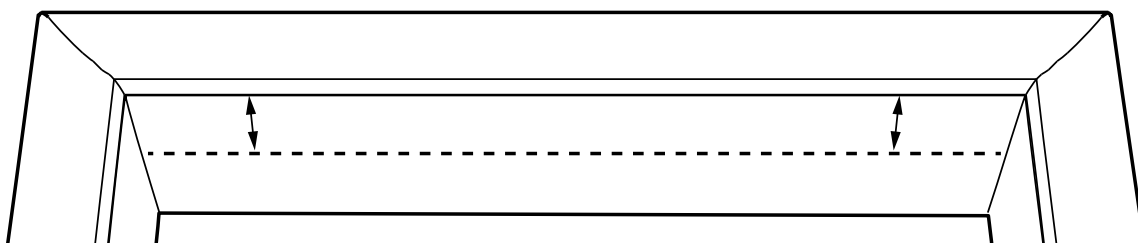
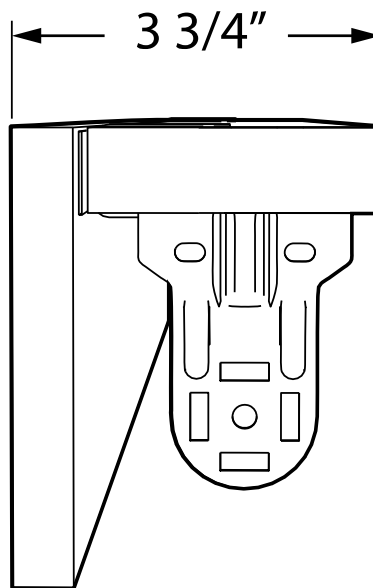


Drill

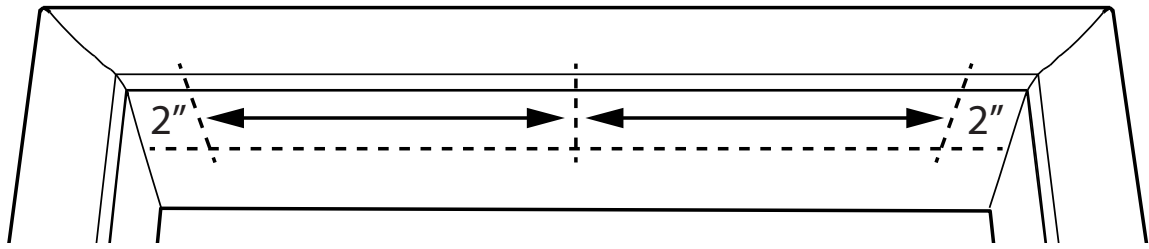
## 1 Determine Bracket Location

### INSIDE MOUNT

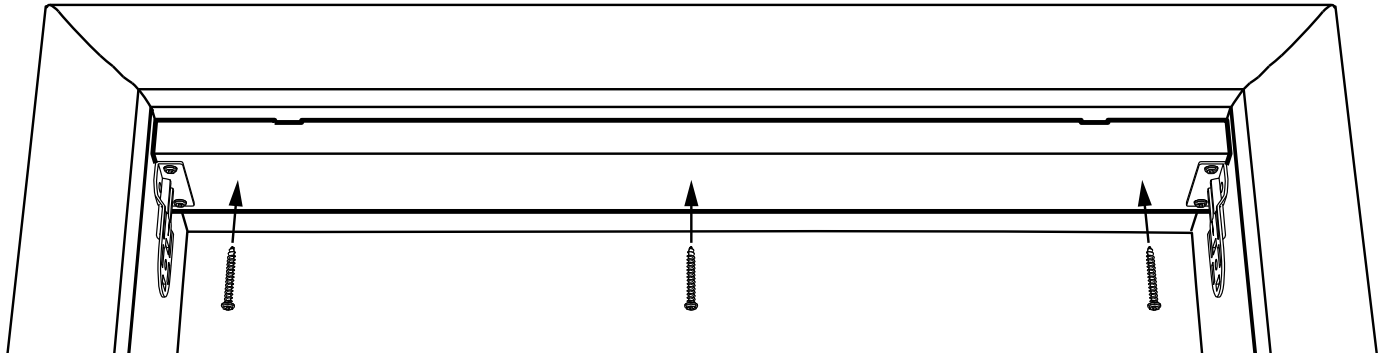
For fully recessed installation, use the measurement from the depth of the board and valance



Measure on Both sides from the front of the window opening to the depth you want and make a mark

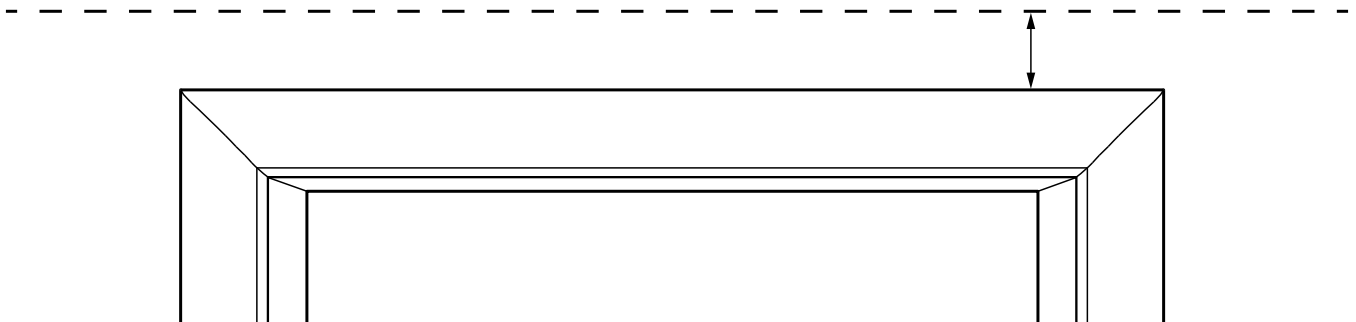


Measure in 2" from the ends of the opening and space remaining screws evenly.  
 Make sure there are no obstructions and the mounting surface is level

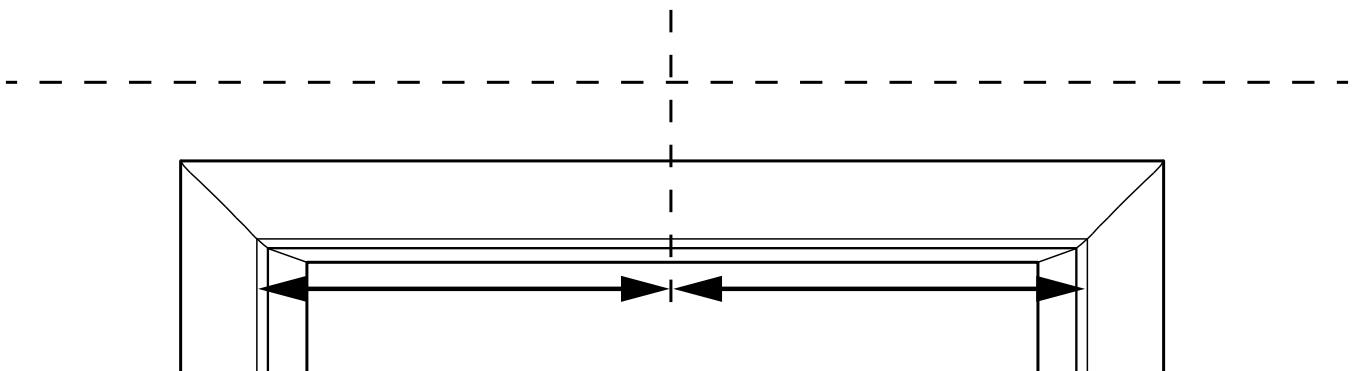


For inside Mount installation, no brackets are necessary.  
 Pre-drill holes with 1/8" drill bit and screw the board into the window opening

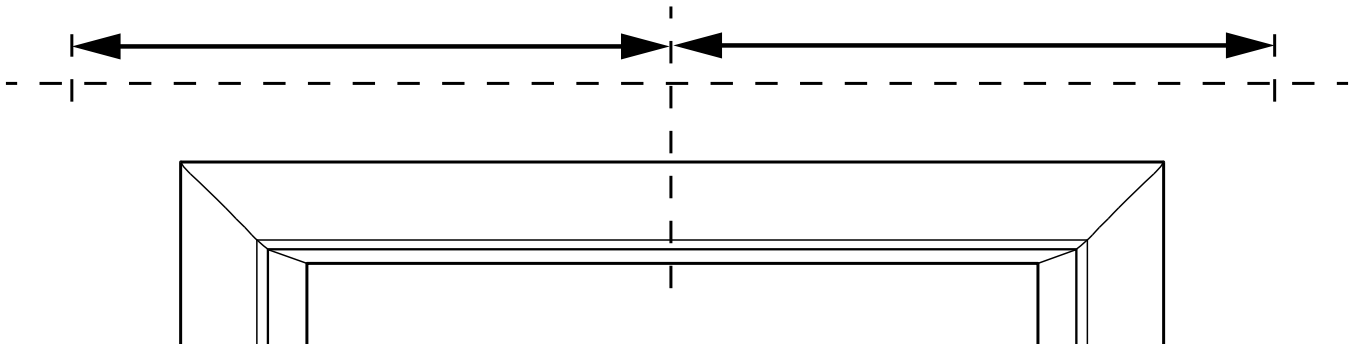
## OUTSIDE MOUNT



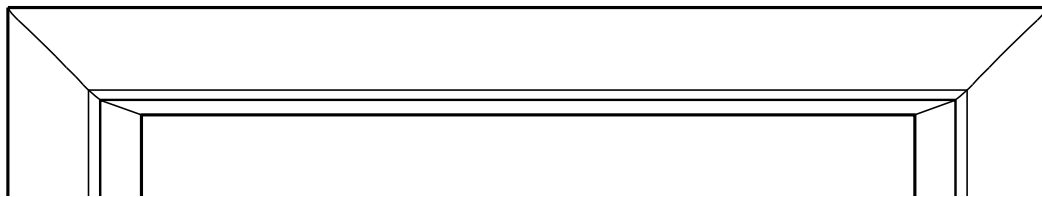
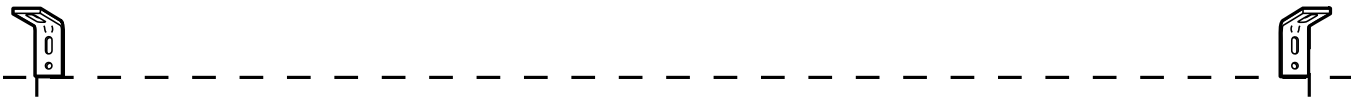
Determine height placement of blind and make a level line above the window opening



Find the center of the window opening and mark the location on your height line



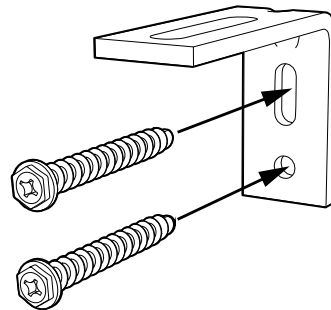
Mark lines at half the ordered width from both sides of the center line



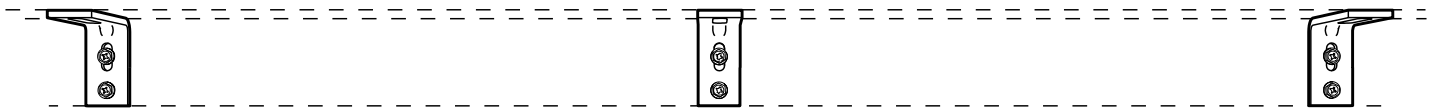
Mark location of both screw holes in the brackets lined up on the lines and pre-drill with a 1/8" drill bit

## 2 Install Brackets

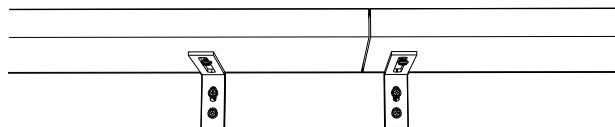
OUTSIDE



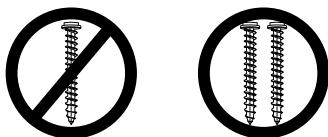
Use two screws to attach brackets to mounting surface



Make sure brackets are level and aligned



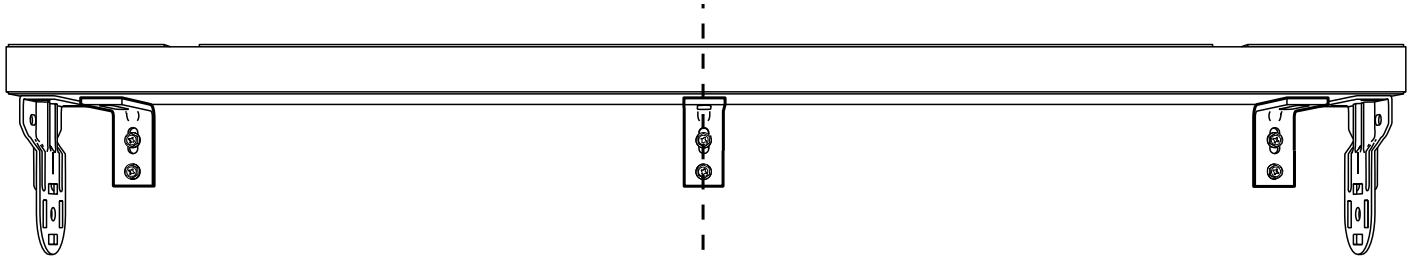
If your board is spliced, an additional bracket will be required at the splice



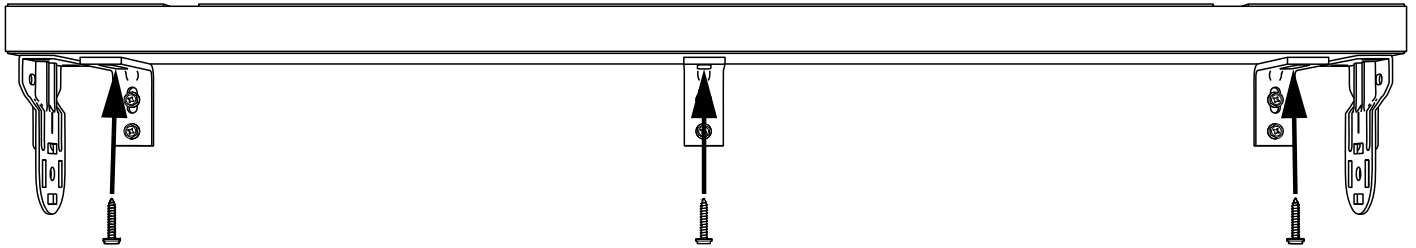
**IMPORTANT:** Two screws are needed to attach each installation bracket

**IMPORTANT:** Brackets must be level and plumb to each other to ensure proper operation  
Some shimming may be required

### 3 Install Board



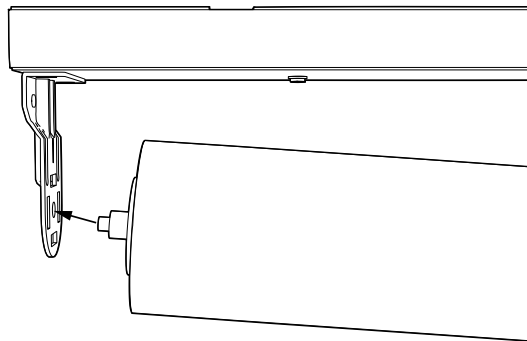
Center board on brackets



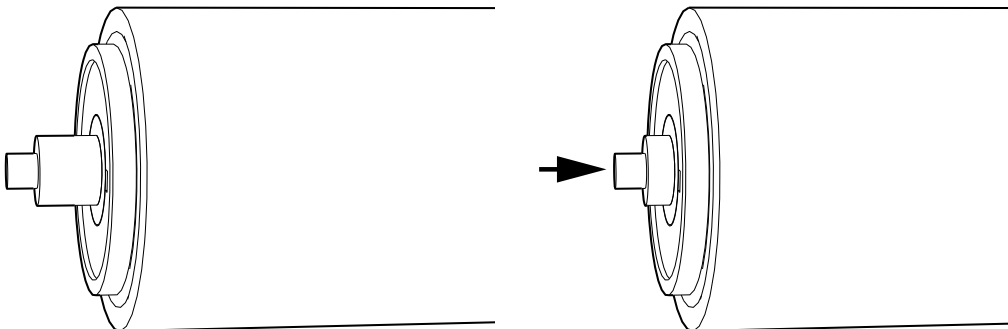
Use 3/4" screws to screw brackets into board

### 4 Install Shade

Idle End

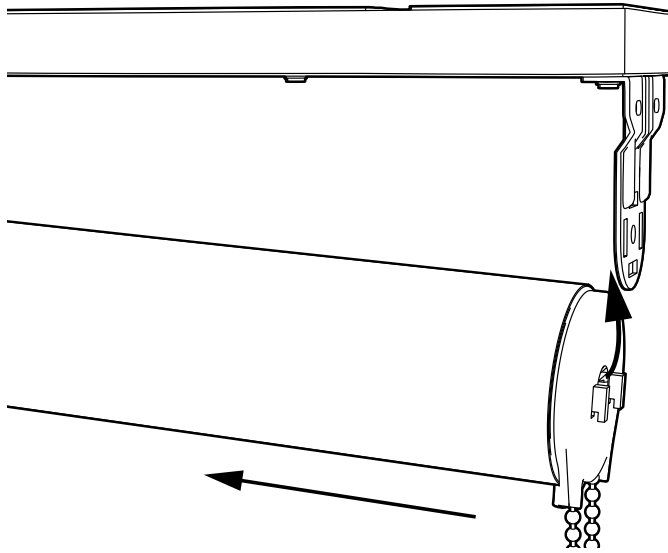


Insert Idler end into hole in the center of the Bracket



Idler End is spring loaded and will depress to make clearance for Clutch End

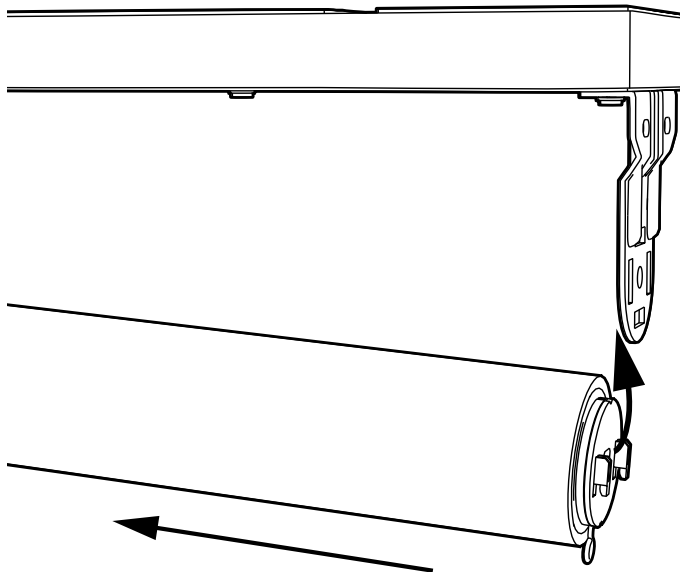
## Clutch End



Guide Clutch hooks up into the Bracket

Support shade in the middle and Push into the Idler End of the shade to depress the idler to clear the Clutch Side Bracket

## Accu-Rise (WITH PIN)



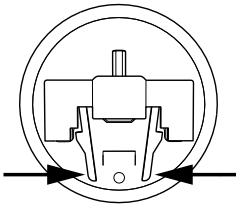
Guide Clutch hooks up into the Bracket

Support shade in the middle and Push into the Idler End of the shade to depress the idler to clear the Clutch Side Bracket

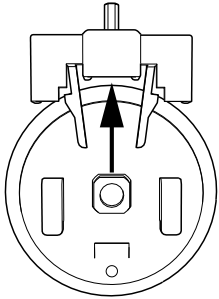


**CAUTION: DO NOT REMOVE PIN**  
until shade is fully seated in brackets or shade will become inoperable

## Accu-Rise (WITHOUT PIN)

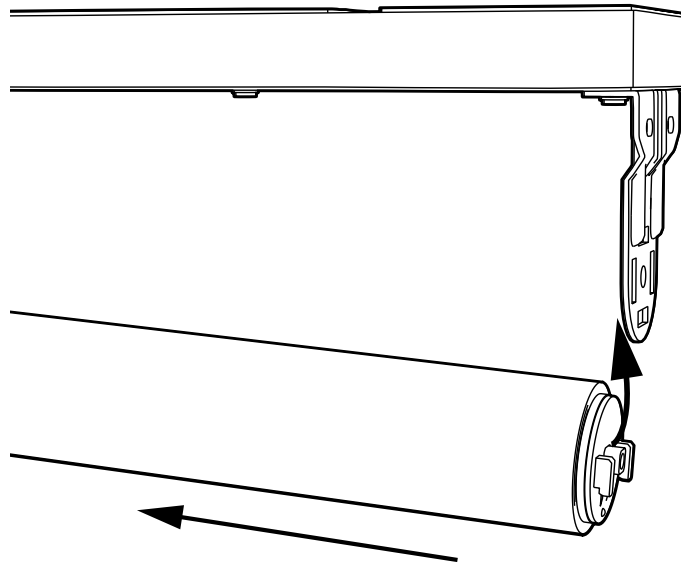


Squeeze tongs  
on the end of the  
spanner tool



Remove the  
spanner tool

**Do not discard Spanner Tool**



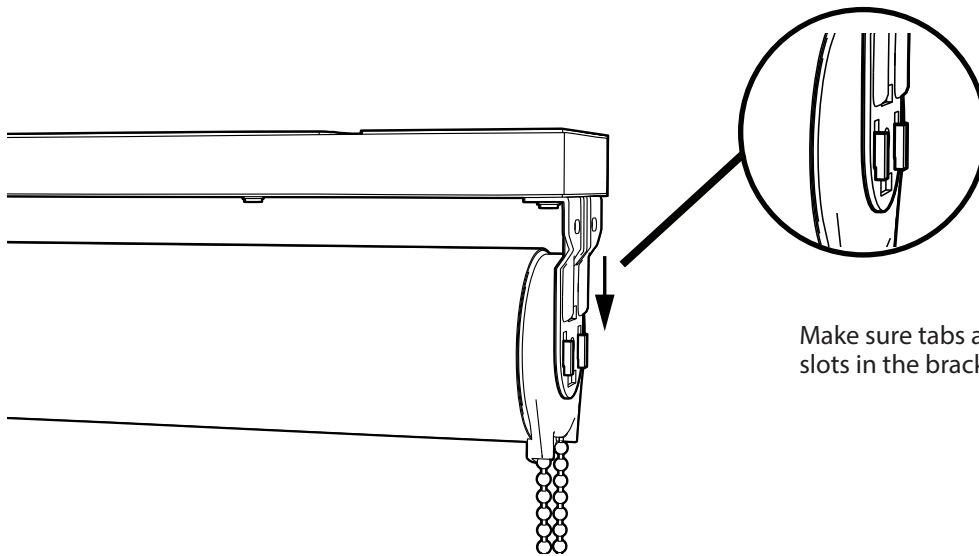
Guide Clutch hooks up into  
the Bracket

Support shade in the middle and Push into the Idler End of the shade to  
depress the idler to clear the Clutch Side Bracket

Button in the center of the Accu-Rise will Depress when installed in  
the Fascia Bracket and shade will become operational



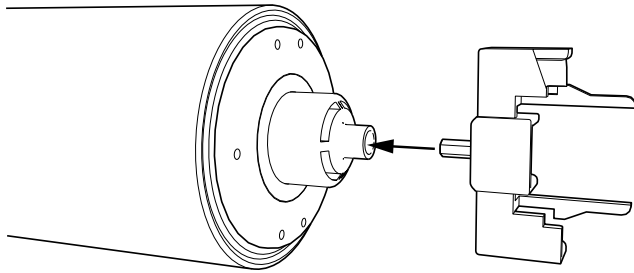
**CAUTION: Accu-Rise Pinless Shades will require snapping into place and require more force than  
the other products**



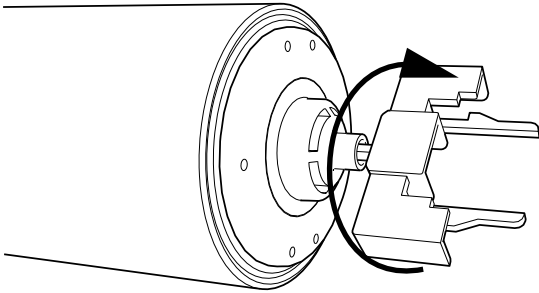
Make sure tabs are fully seated onto the  
slots in the bracket

## ACCU-RISE (PINLESS)

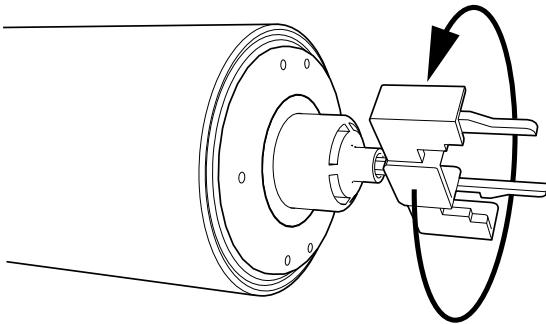
If shade is too loose or too tight in the Brackets the Idle End of the Accu-Rise Pinless lifting system can be adjusted



Insert Spanner tool into the Idler End

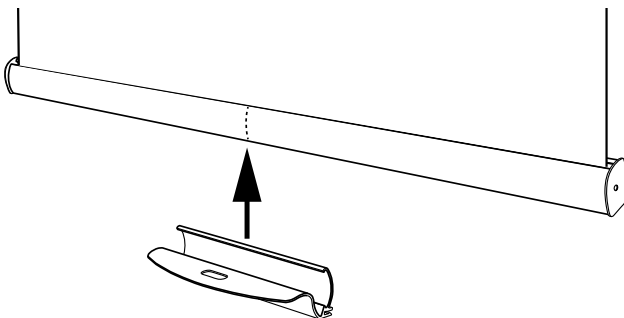


Rotate Spanner Tool Clockwise to shorten the Idle End to allow more clearance



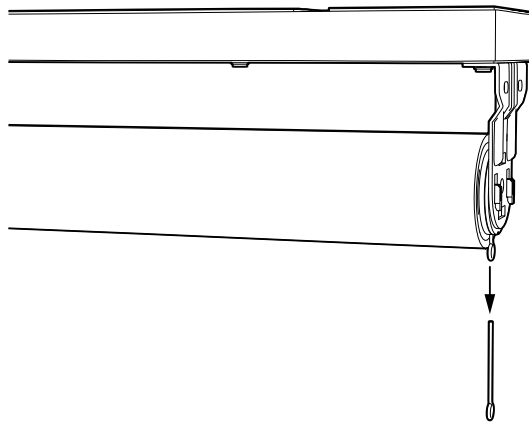
Rotate Spanner Tool Counter-Clockwise to lengthen the Idle End

## Install Accu-Rise Handle



Find Center of bottom Rail and snap on the Accu-Rise Handle

## Remove Accu-Rise Pin



With the shade secured, remove the Accu-Rise Pin and do not discard

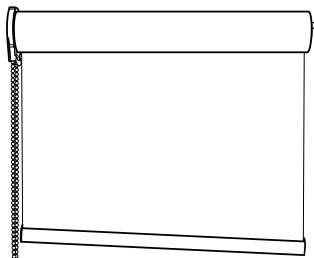


### CAUTION: DO NOT DISCARD PIN

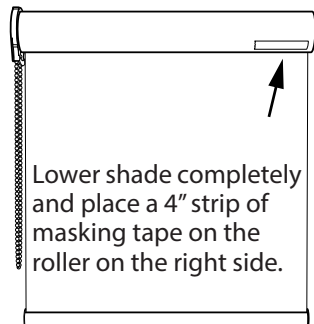
Pin must be reinserted before removal from brackets or shade will become inoperable

## Operate shade after installation to ensure proper operation

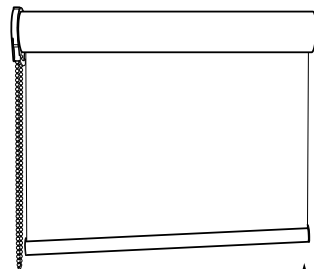
If shade Skews some Shimming may be required



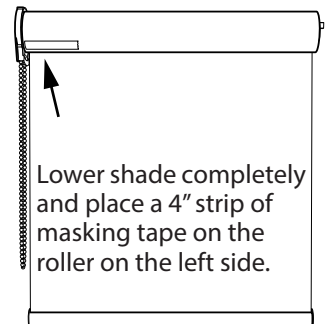
If shade skews up on the left side



Lower shade completely and place a 4" strip of masking tape on the roller on the right side.



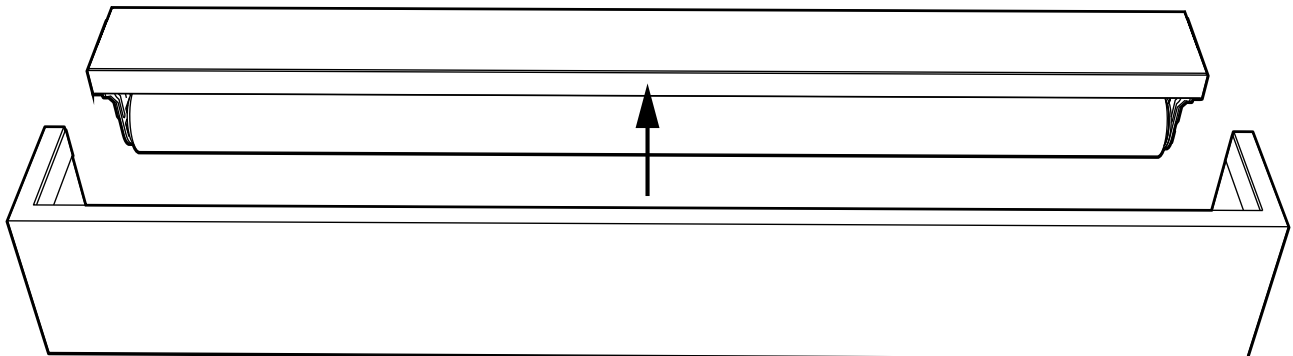
If shade skews up on the right side



Lower shade completely and place a 4" strip of masking tape on the roller on the left side.

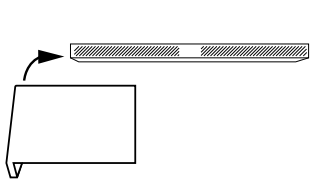
Repeat as necessary until a straight roll is achieved

## 5 Install Valance

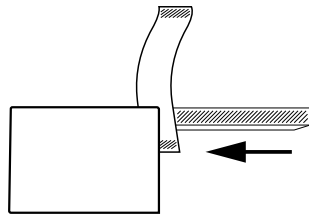


Line up the top of the Valance with the top of the Board and press the Valance into the hook and loop attachment until secure

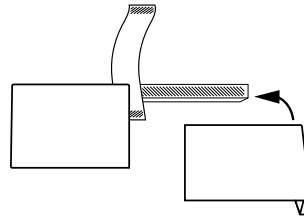
## Spliced Valance



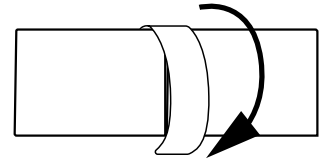
Start with one side and attach it to the velcro on the board



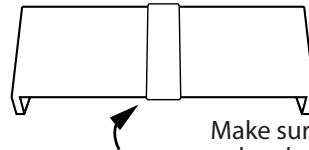
Insert and attach one end of the Fabric Keystone Splice



Attach the other side of the valance to velcro on board and attach velcro at splice

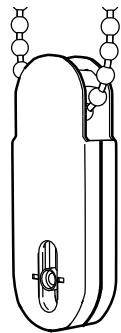


Fold over Keystone Splice and pull taut

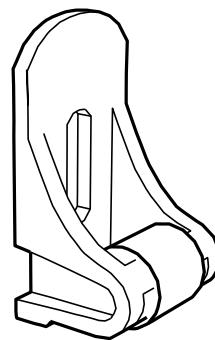


Make sure to attach to velcro behind valance

## 6 Install Cord Tensioner, Hold Down, Chain Stop

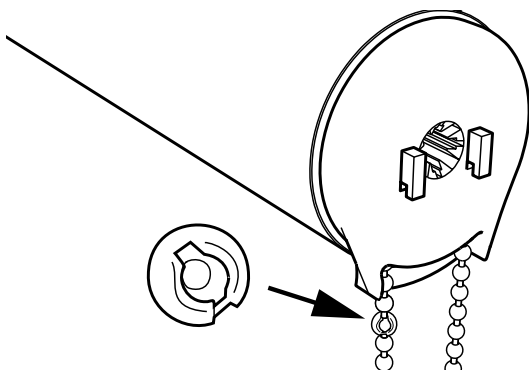


See Cord Tension Lock installation instructions



See Hold Down installation instructions

**IMPORTANT:** Cord tensioners must be properly installed and secured



Lower Shade to desired length.

On the front of the chain directly below the clutch, attach the round stop to the first bead on the chain.

This will prevent the shade from being lowered beyond the desired length.