

## Installation Instructions

### 5 1/2" Fascia Single SL 30 Clutch

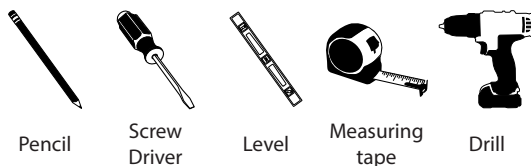
#### Thank You

Thank you for choosing your Genesis® Custom Window Shades  
With proper installation and care, your new shades will provide many years of beauty and performance.

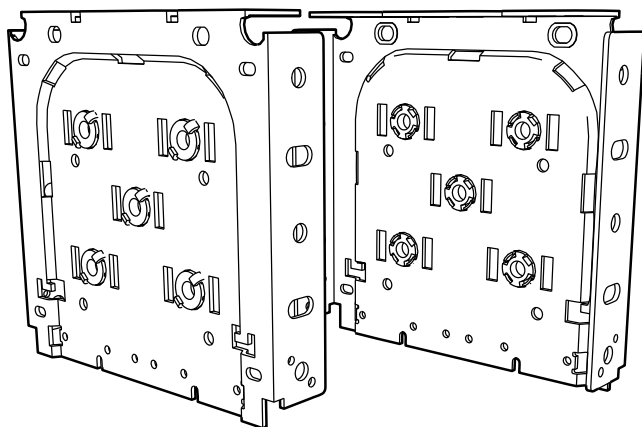
#### Before Installing

Remove shade from the package. Keep all packaging until shade operates to your satisfaction. Contents of your hardware package may vary depending on options chosen.  
Additional fasteners may be needed on your specific mounting surface (not included).

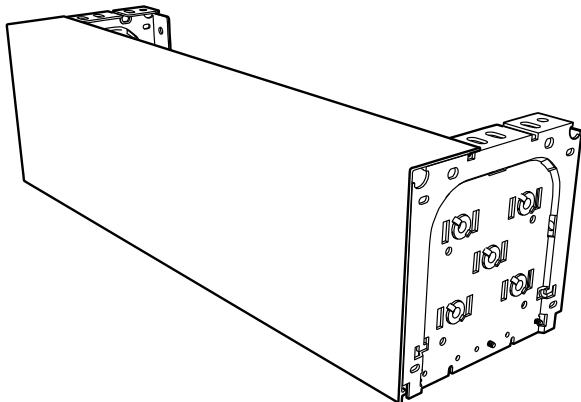
#### Tools Needed



#### 1 Determine Bracket Location

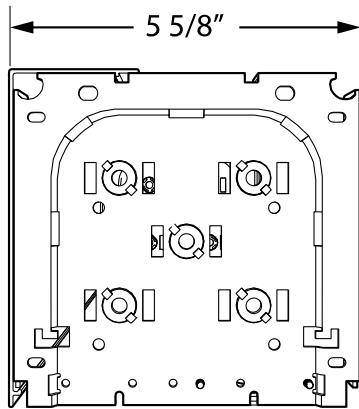


Your Shades come with 2 brackets for your shade and can be installed either Inside Mount or Outside Mount

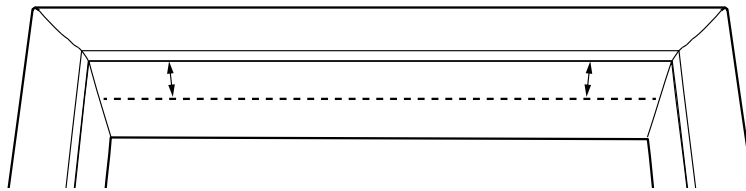


Due to the size of the SL 30 Clutch the Fascia is attached from the top of the Brackets

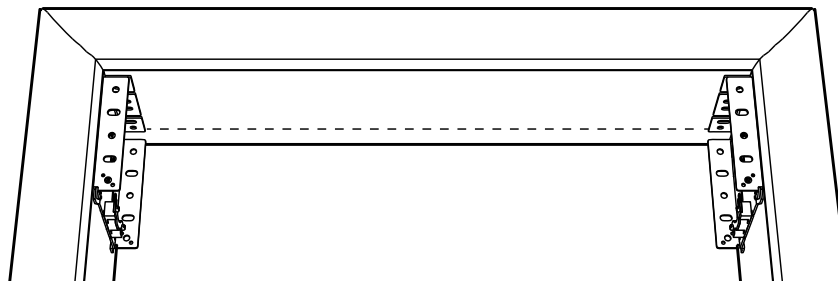
## INSIDE MOUNT



For fully recessed installation measure brackets from the back of the Bracket to the front of the Fascia



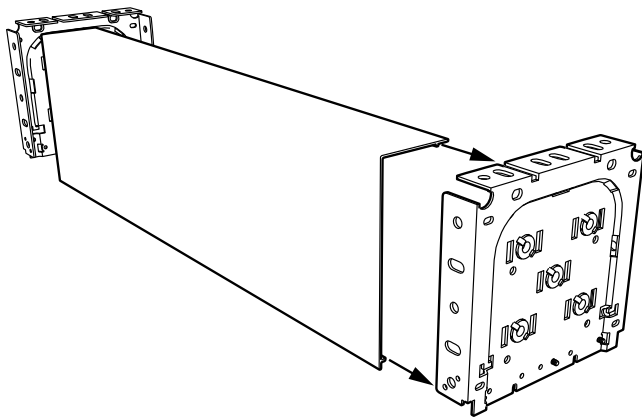
Measure on Both sides from the front of the window opening to the depth you want and make a mark



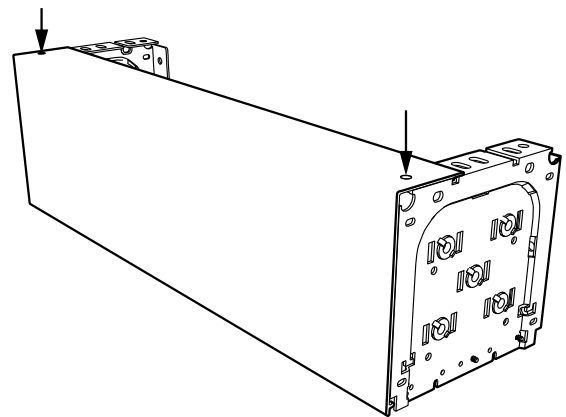
Mark location of both screw holes in the brackets lined up on the lines and pre-drill with a 1/8" drill bit

## Preassemble Fascia

If your installation is Inside Mount, Partial Inside Mount, or Ceiling Mount the Fascia and brackets need to be preassembled and installed together as one unit



Slide Brackets into Fascia to preassemble Fascia

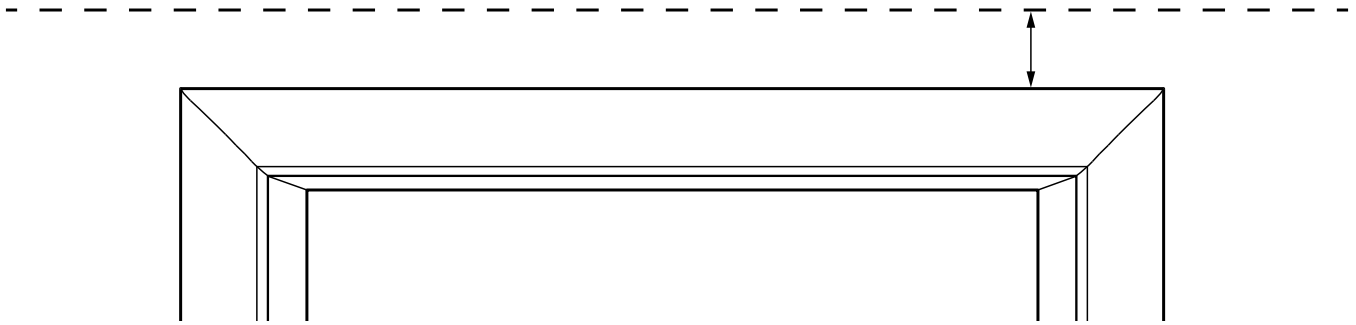


Drill holes with a 3/16" drill bit through the top of the Fascia to allow for screws if ceiling mount

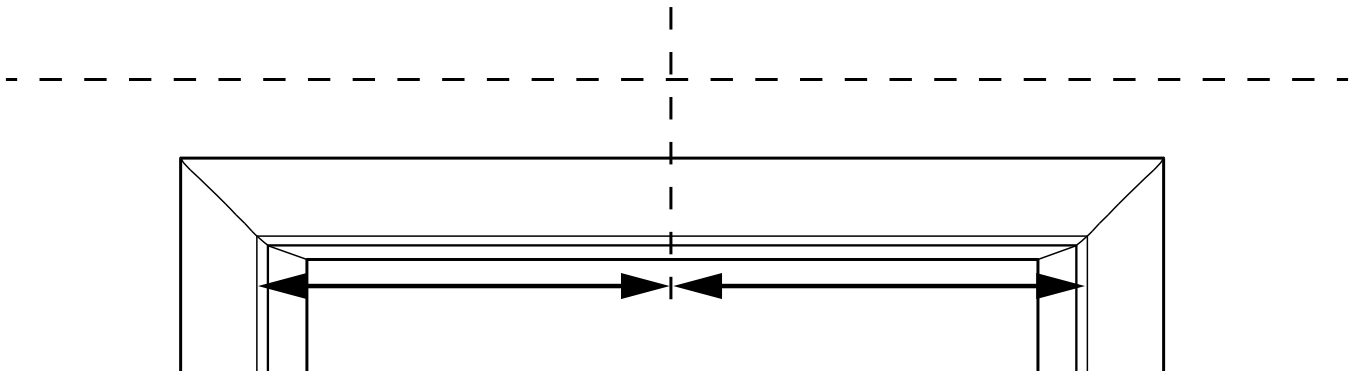
**Note:** Additional holes may be pre-drilled in the center of the Fascia to aid in installation

# OUTSIDE MOUNT

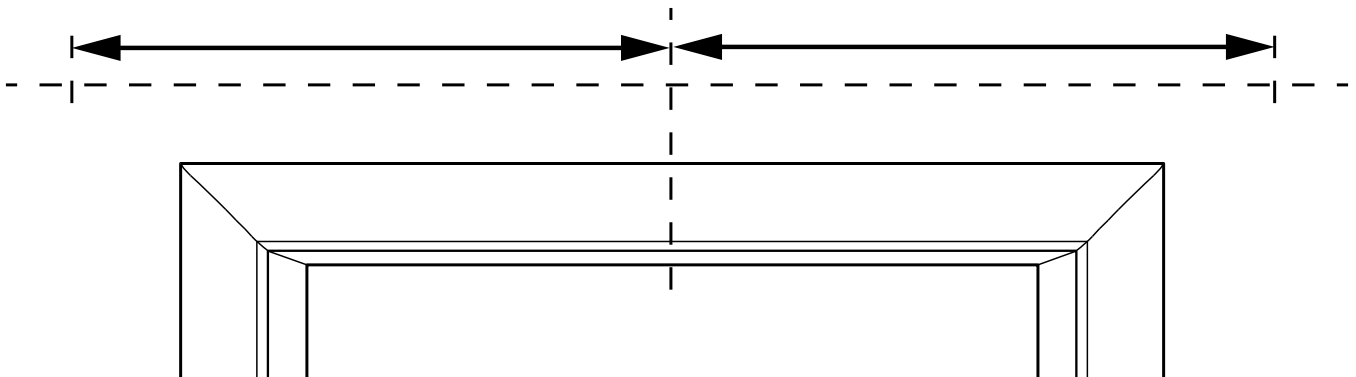
Determine height placement of blind and make a level line above the window opening



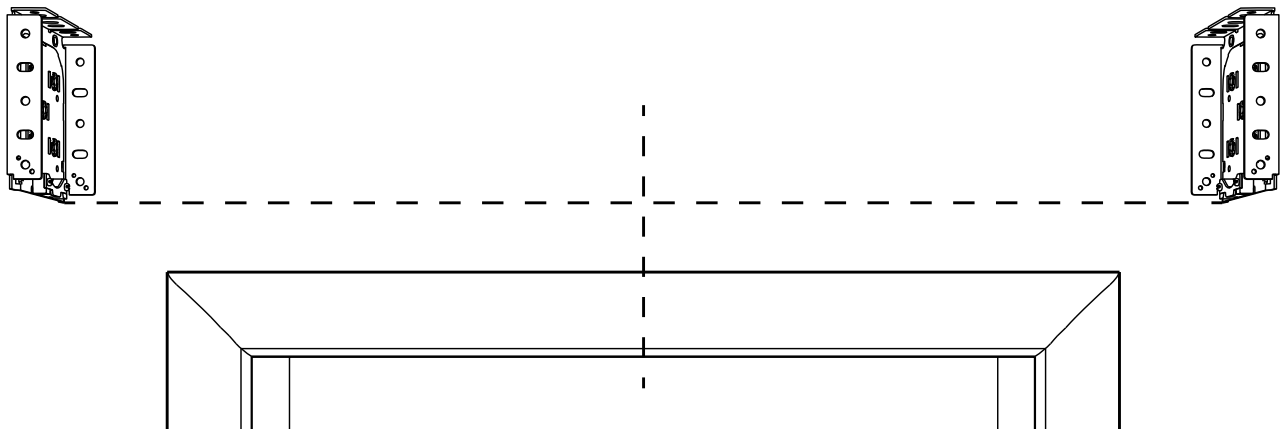
Find the center of the window opening and mark the location on your height line



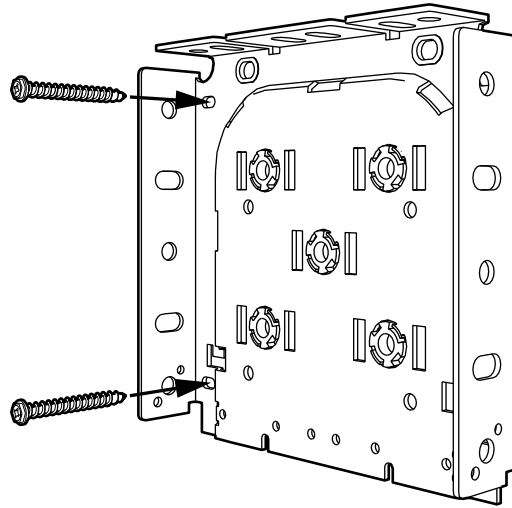
Mark lines at half the ordered width from both sides of the center line



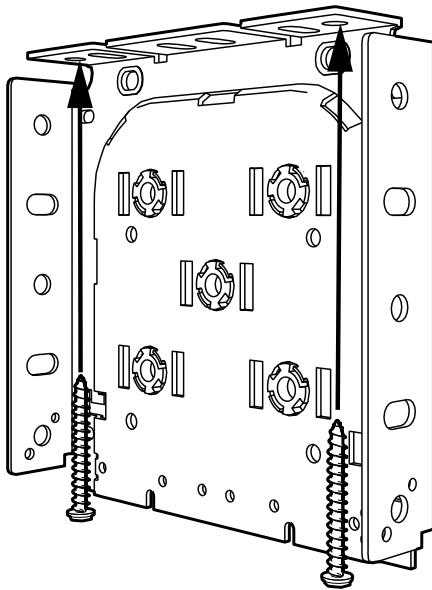
Mark location of both screw holes in the brackets lined up on the lines and pre-drill with a 1/8" drill bit



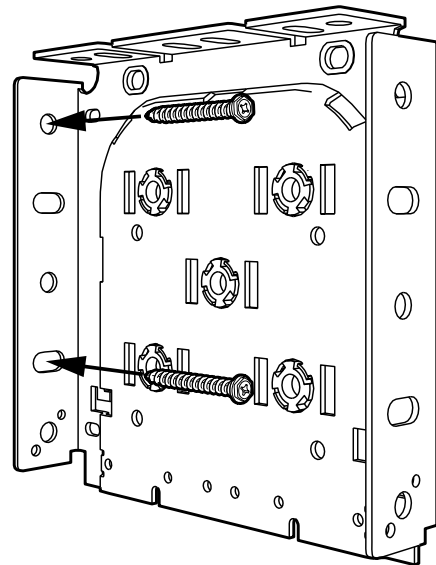
## 2 Install Brackets INSIDE



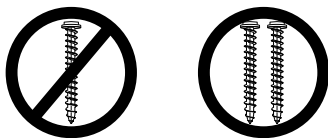
**CEILING**



**OUTSIDE**



Use the same process for the other side.



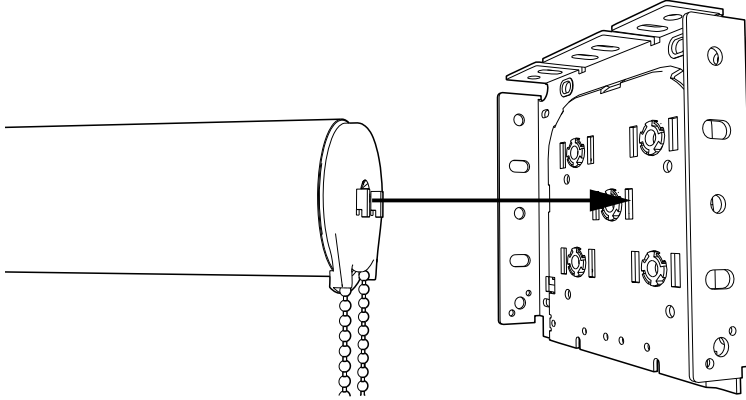
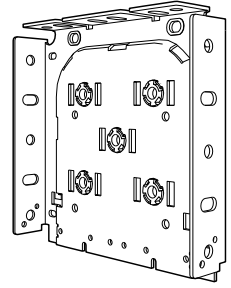
**IMPORTANT:** Two screws are needed to attach each installation bracket

**IMPORTANT:** Brackets must be level and plumb to each other to ensure proper operation  
Some shimming may be required

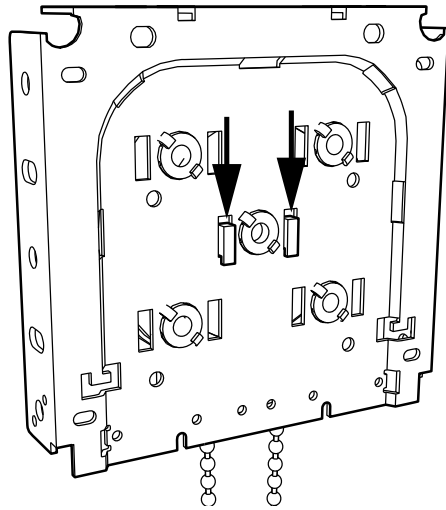
### 3 Install Shade

Install control side first

CLUTCH

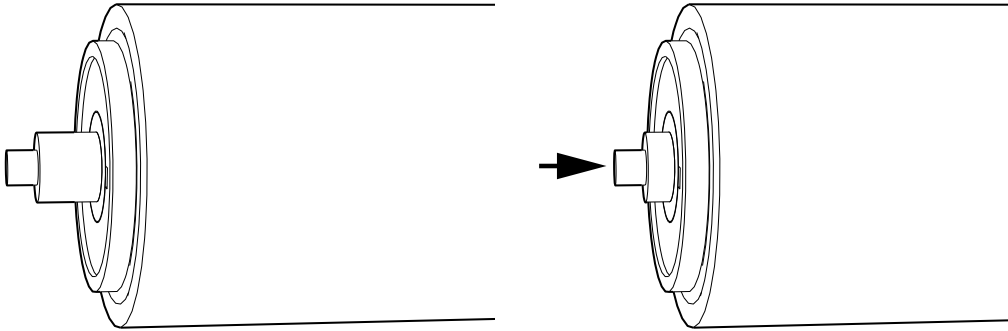


Line up hooks on clutch ends with slots in the bracket

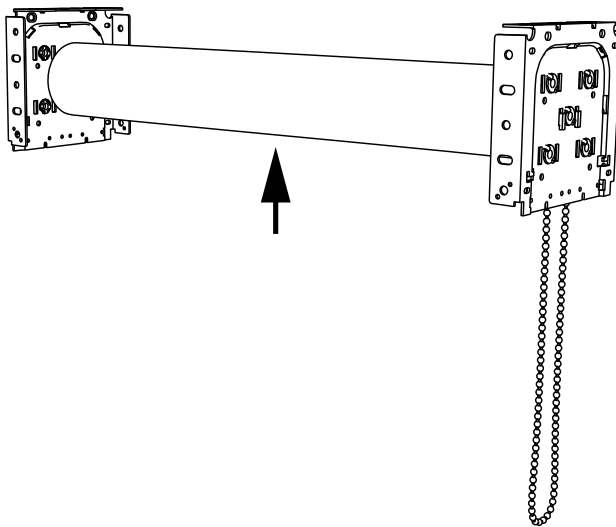


With hooks fully inserted into bracket push down on the clutch so that they are fully seated

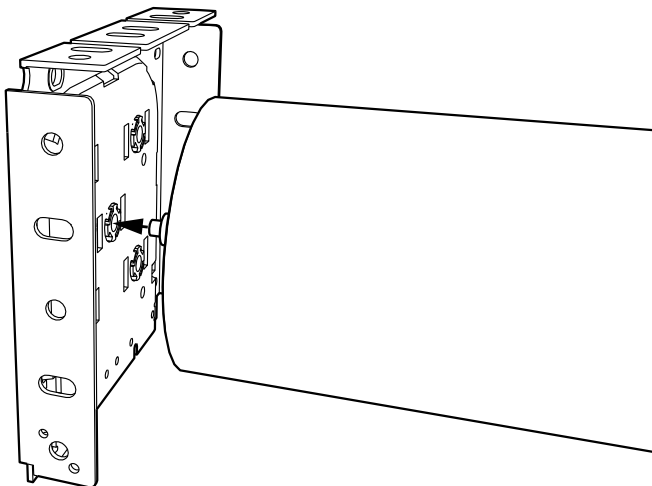
## Idle End



Depress pin in on the Idler end



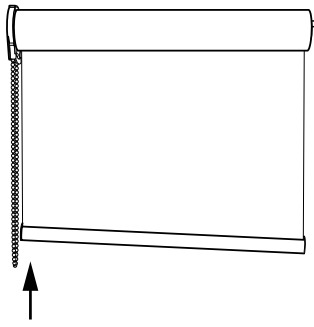
Support the shade from the middle and guide the Idle End to the corresponding hole on the opposite side



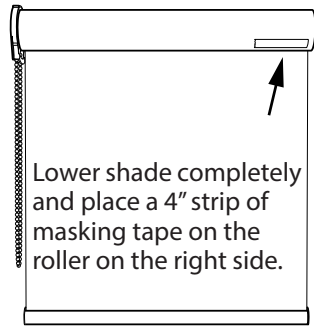
Guide pin into the hole and make sure the spring engages and pin is fully seated

## Operate shade after installation to ensure proper operation

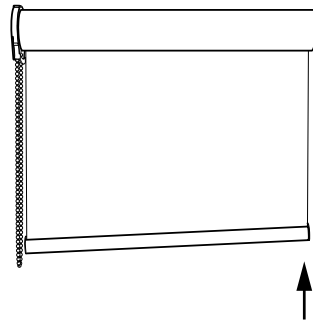
If shade Skews some Shimming may be required



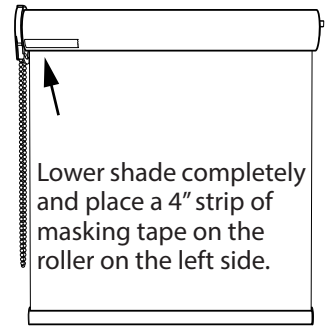
If shade skews up on the left side



Lower shade completely and place a 4" strip of masking tape on the roller on the right side.



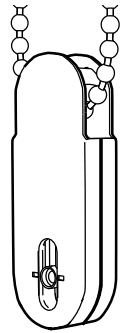
If shade skews up on the right side



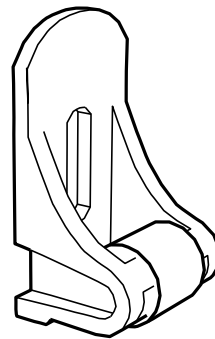
Lower shade completely and place a 4" strip of masking tape on the roller on the left side.

Repeat as necessary until a straight roll is achieved

## 4 Install Cord Tensioner, Hold Down, Chain Stop

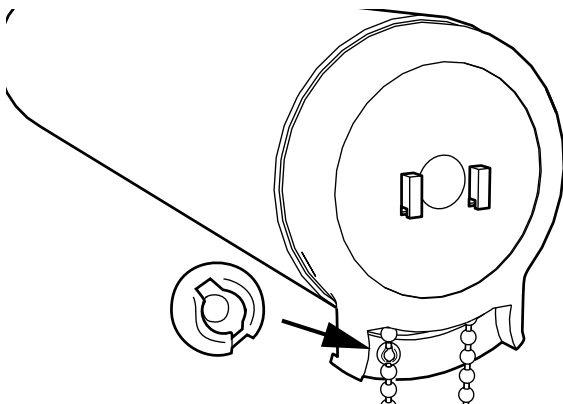


See Cord Tension Lock installation instructions



See Hold Down installation instructions

**IMPORTANT:** Cord tensioners must be properly installed and secured

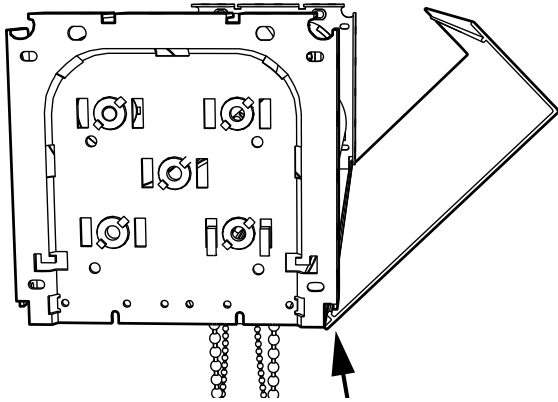


Lower Shade to desired length.

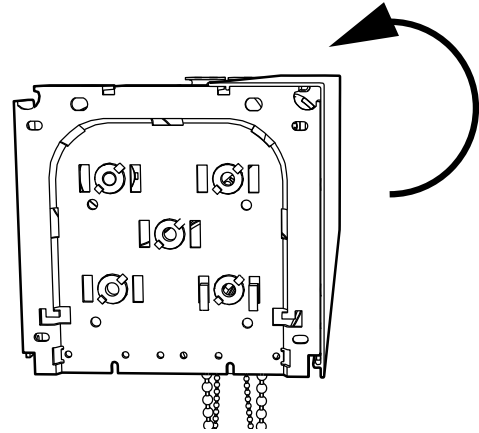
On the front of the chain directly below the clutch, attach the round stop to the first bead on the chain.

This will prevent the shade from being lowered beyond the desired length.

## 5 Install Fascia Outside Mount



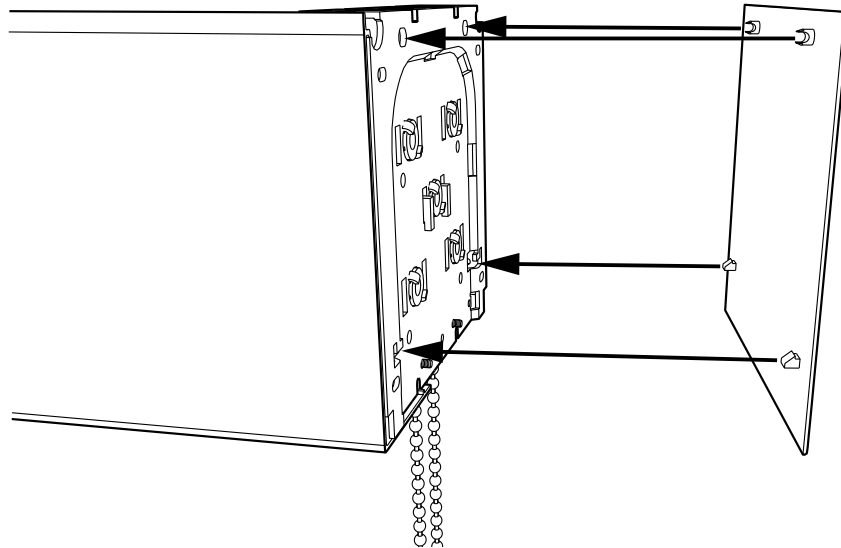
Hook the fascia to the bottom of the bracket



Rotate the Fascia forward until it snaps onto the top tabs of the bracket

## 6 Install Bracket Covers

Snap on Cover



Line up Bracket Cover pegs with the holes on the Bracket and snap into place