

Installation Instructions

5 1/2" Fascia Single

SL Clutch, Accu-Rise, and Motorized

Thank You

Thank you for choosing your Genesis® Custom Window Shades
With proper installation and care, your new shades will provide many years of beauty and performance.

Before Installing

Remove shade from the package. Keep all packaging until shade operates to your satisfaction. Contents of your hardware package may vary depending on options chosen. Additional fasteners may be needed on your specific mounting surface (not included).

Tools Needed



Pencil



Screw Driver



Level

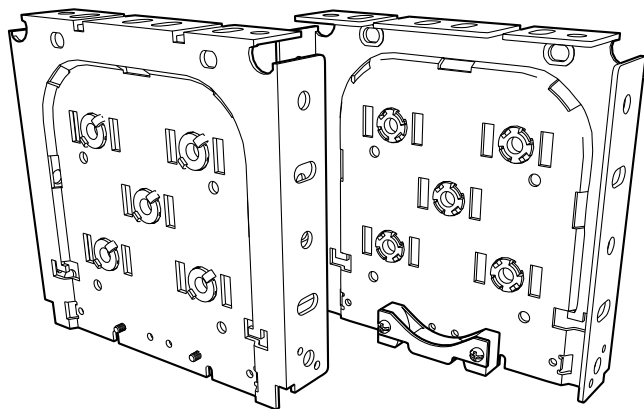


Measuring tape



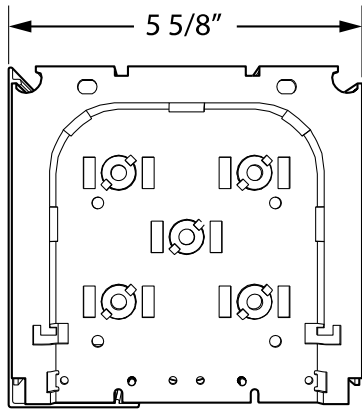
Drill

1 Determine Bracket Location

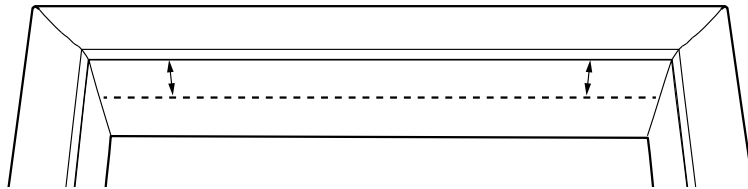


Your Shades come with 2 brackets for your shade and can be installed either Inside Mount or Outside Mount

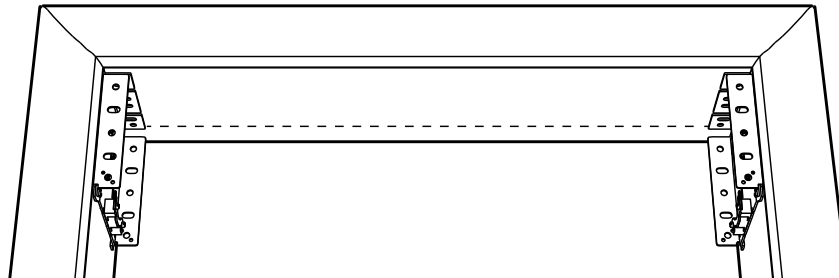
INSIDE MOUNT



For fully recessed installation measure brackets from the back of the Bracket to the front of the Fascia



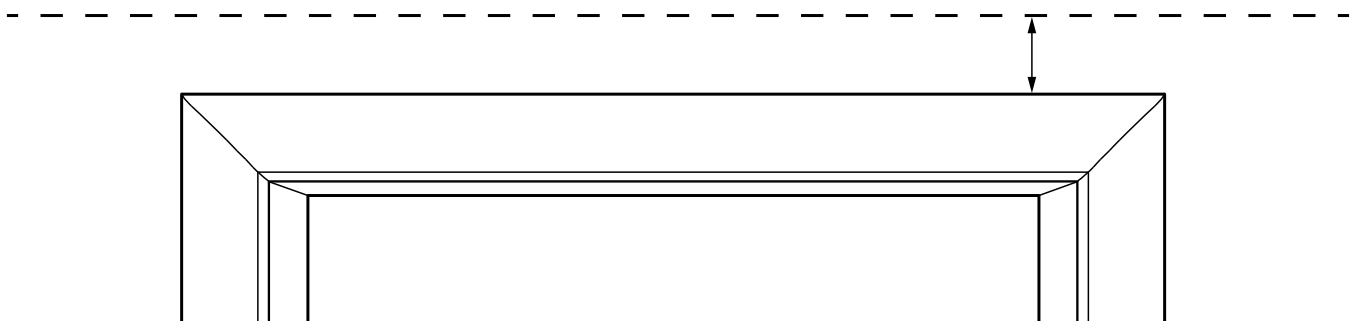
Measure on Both sides from the front of the window opening to the depth you want and make a mark



Mark location of both screw holes in the brackets lined up on the lines and pre-drill with a 1/8" drill bit

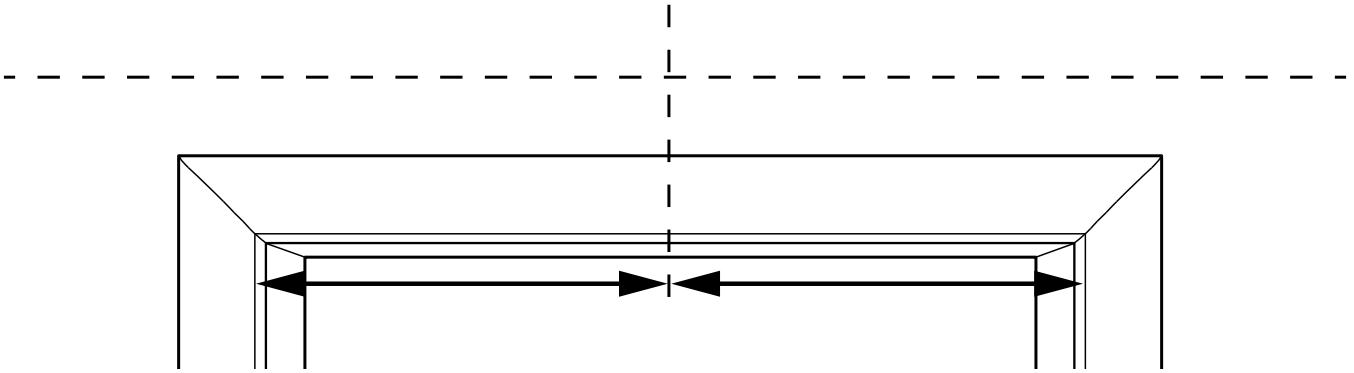
OUTSIDE MOUNT

Determine height placement of blind and make a level line above the window opening

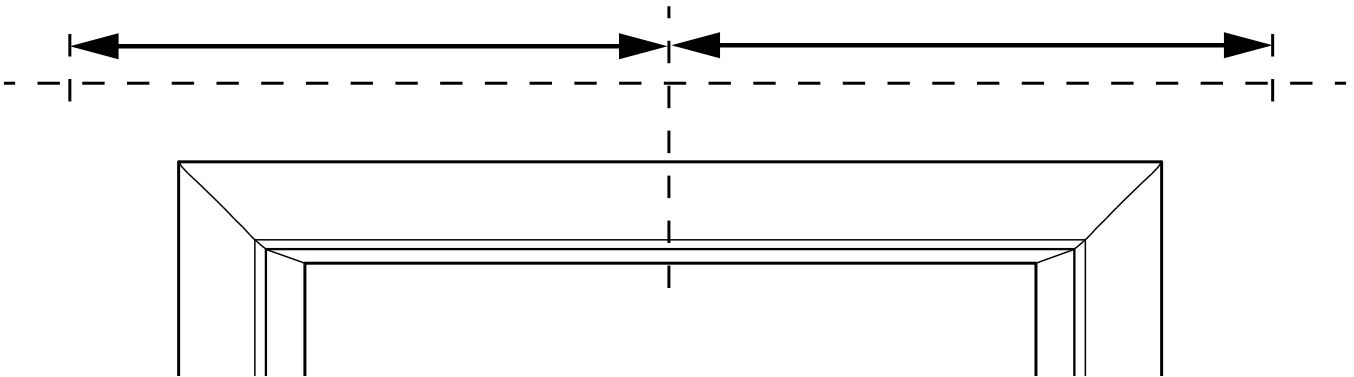


OUTSIDE MOUNT

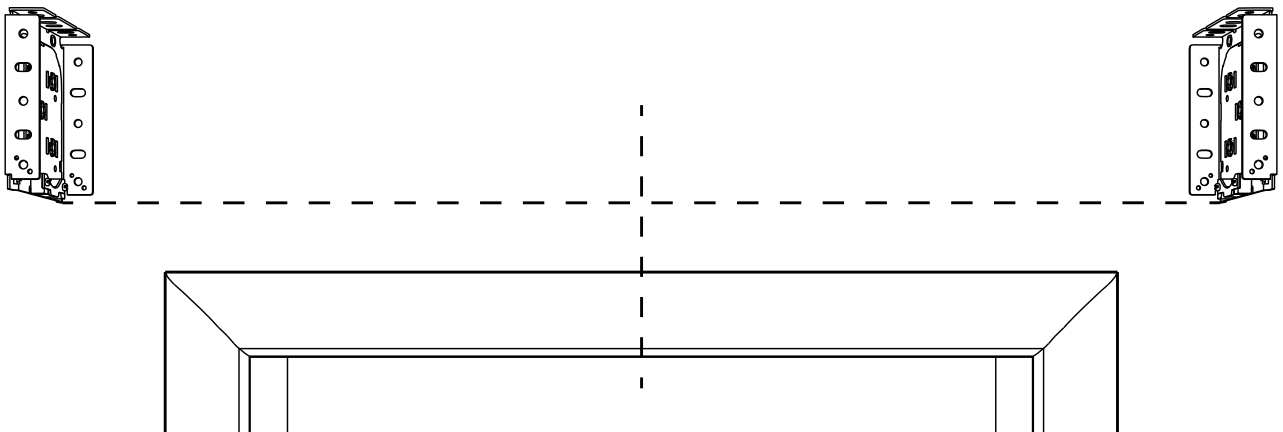
Find the center of the window opening and mark the location on your height line



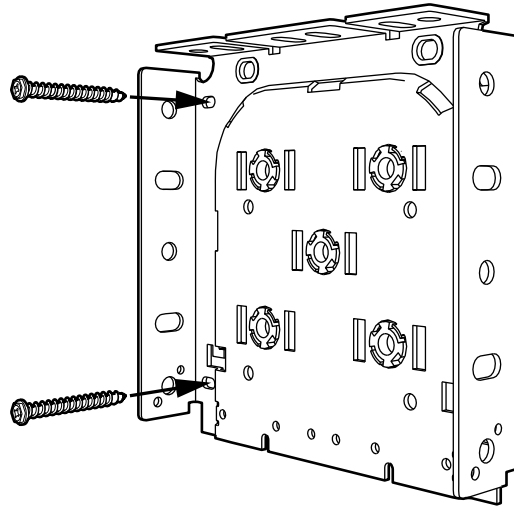
Mark lines at half the ordered width from both sides of the center line



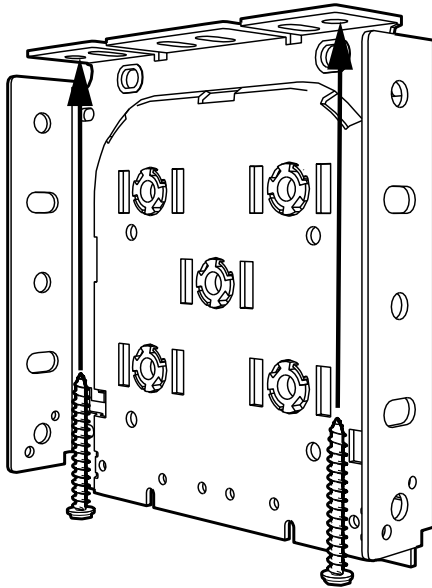
Mark location of both screw holes in the brackets lined up on the lines and pre-drill with a 1/8" drill bit



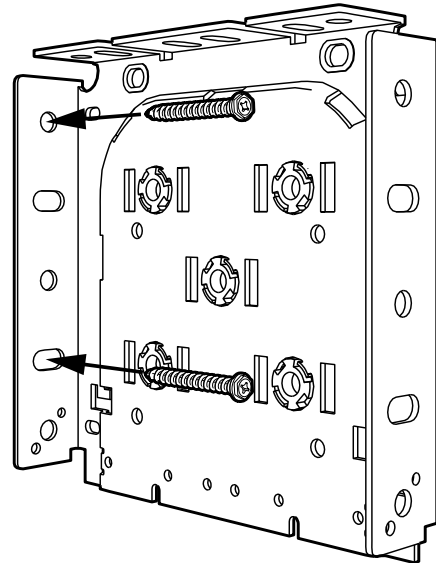
2 Install Brackets INSIDE



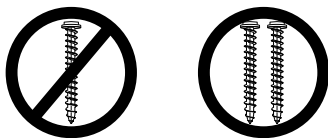
CEILING



OUTSIDE



Use the same process for the other side.

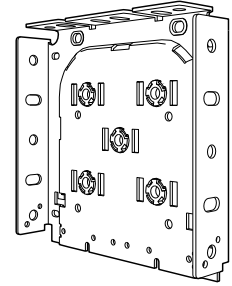


IMPORTANT: Two screws are needed to attach each installation bracket

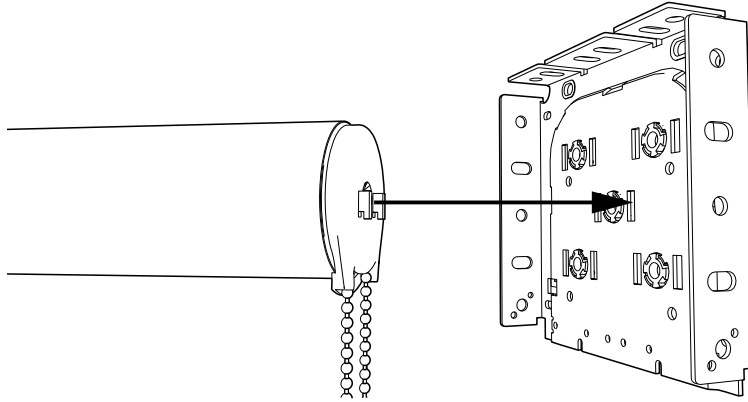
IMPORTANT: Brackets must be level and plumb to each other to ensure proper operation
Some shimming may be required

3 Install Shade

Install control side first

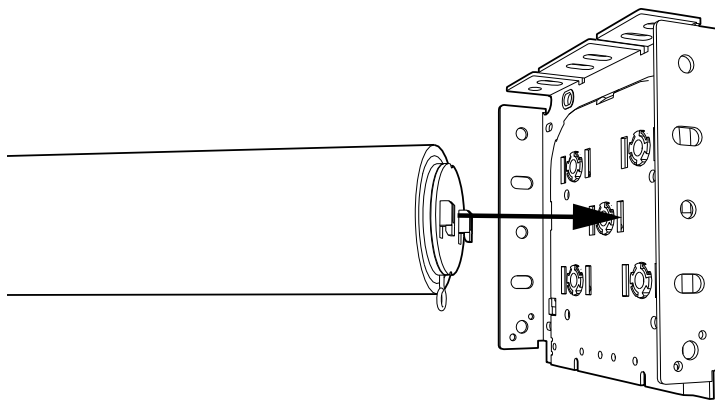


CLUTCH



Line up hooks on clutch ends with slots in the bracket

ACCU-RISE (WITH PIN)

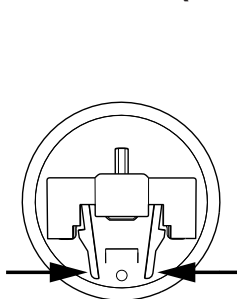


Line up hooks on clutch ends with slots in the bracket

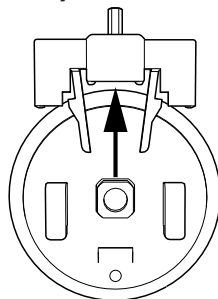


CAUTION: DO NOT REMOVE PIN until shade is fully seated in brackets or shade will become inoperable

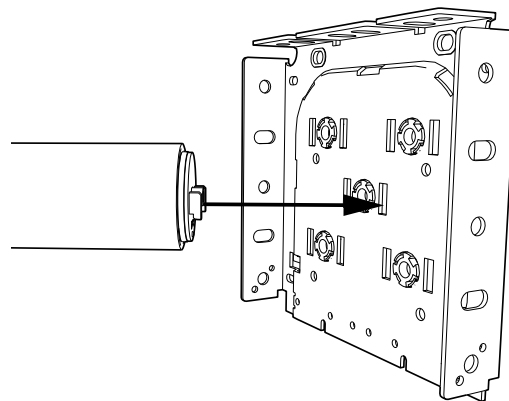
ACCU-RISE (PINLESS)



Squeeze tongs on the end of the spanner tool



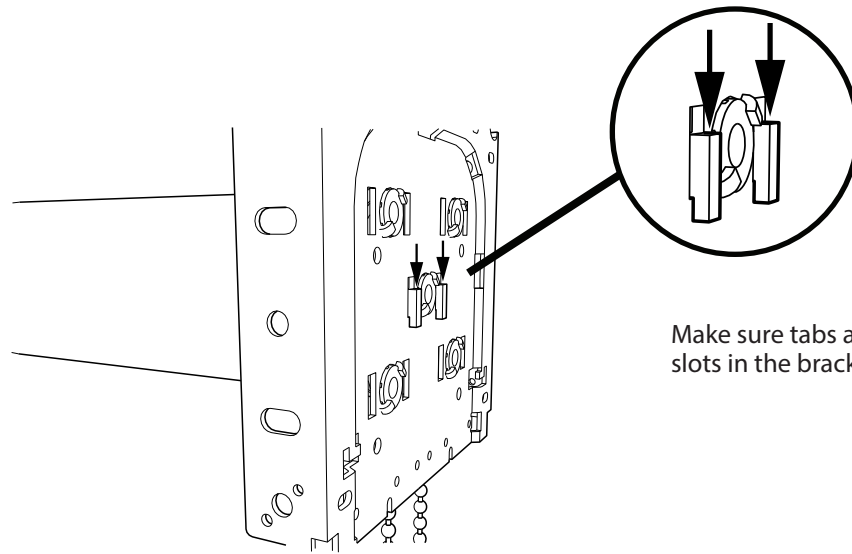
Remove the spanner tool



Line up hooks on clutch ends with slots in the bracket

Do not discard Spanner Tool

Button in the center of the Accu-Rise will Depress when installed in the Fascia Bracket and shade will become operational

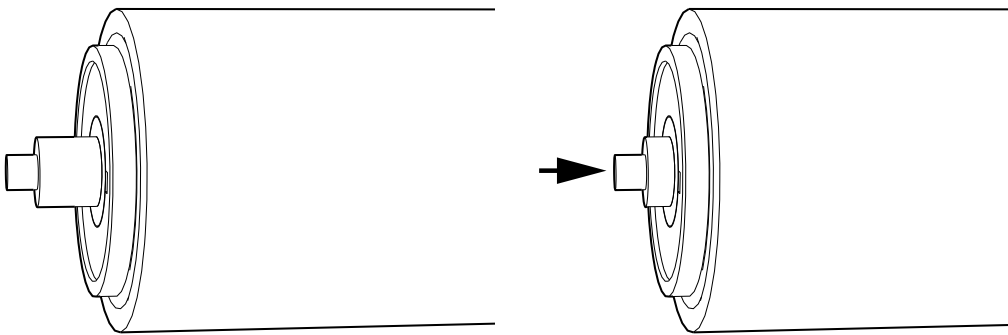


Make sure tabs are fully seated onto the slots in the bracket

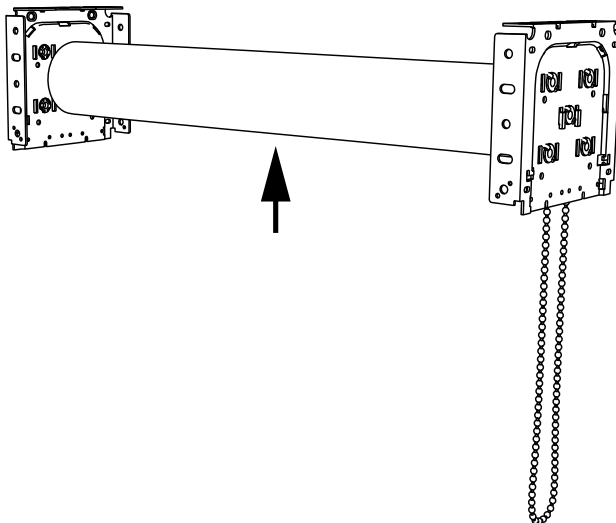


CAUTION: Accu-Rise Pinless Shades will require snapping into place and require more force than the other products

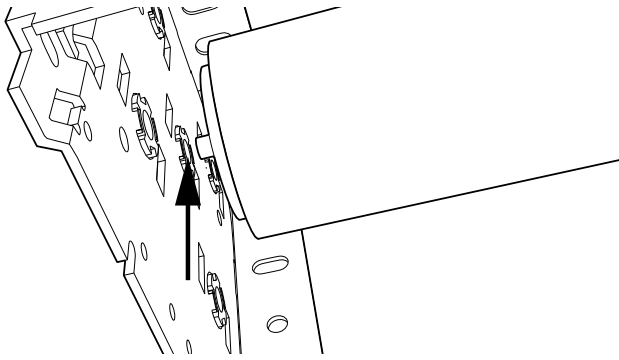
Idle End



Depress pin in on the Idler end



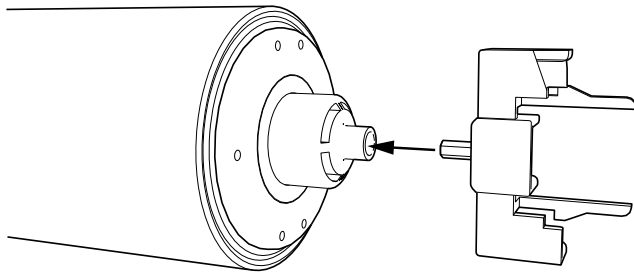
Support the shade from the middle and guide the Idle End to the corresponding hole on the opposite side



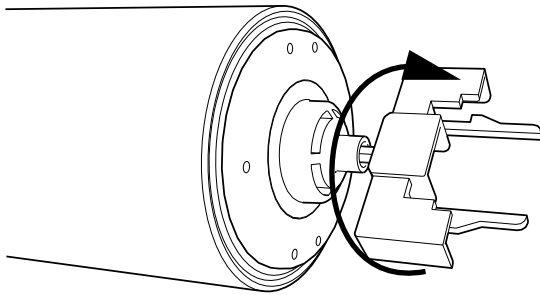
Guide pin into the hole and make sure the spring engages and pin is fully seated

ACCU-RISE (PINLESS)

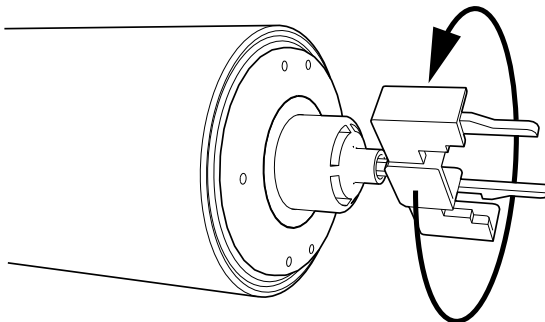
If shade is too loose or too tight in the Brackets the Idle End of the Accu-Rise Pinless lifting system can be adjusted



Insert Spanner tool into the Idler End

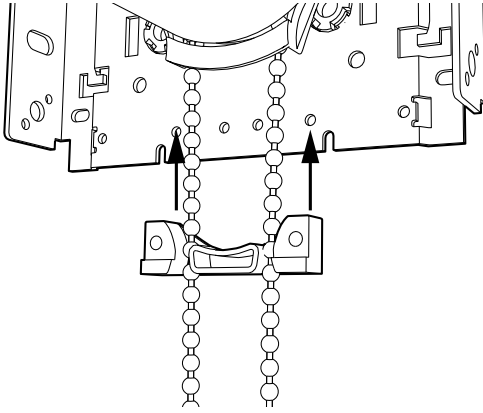


Rotate Spanner Tool Clockwise to shorten the Idle End to allow more clearance

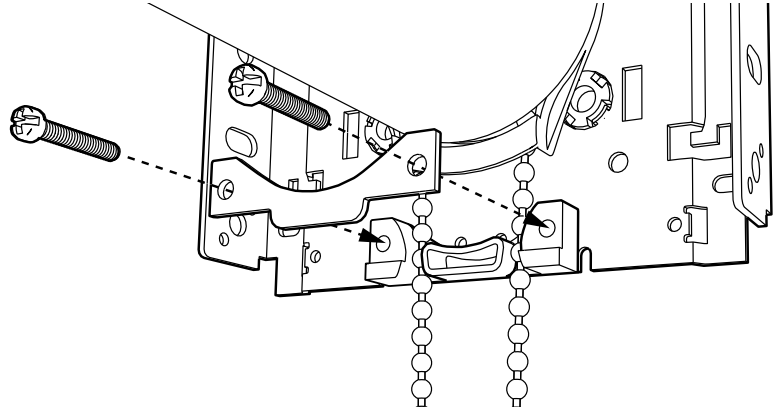


Rotate Spanner Tool Counter-Clockwise to lengthen the Idle End

Install Chain Guide

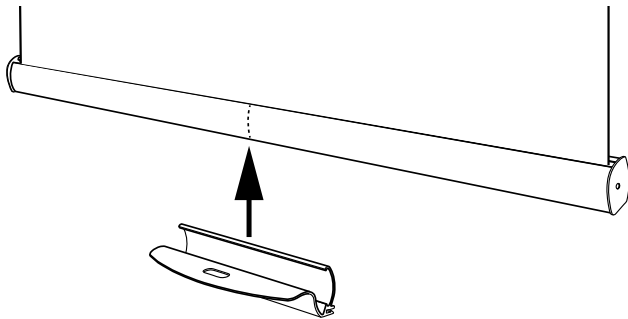


Position Chain into the Chain Guide and line up with the holes on the bracket



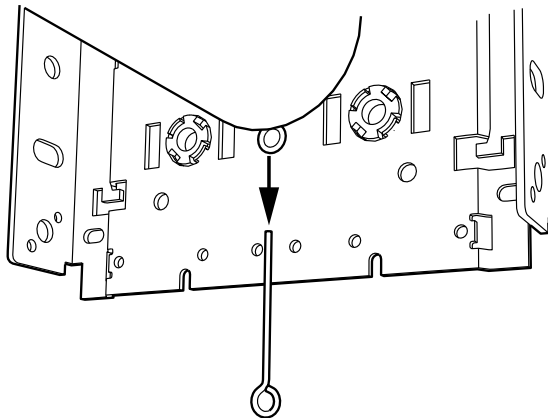
Use two bolts to secure the Chain Guide cover to the Chain Guide

Install Accu-Rise Handle



Find Center of bottom Rail and snap on the Accu-Rise Handle

Remove Accu-Rise Pin



With the shade secured, remove the Accu-Rise Pin and do not discard

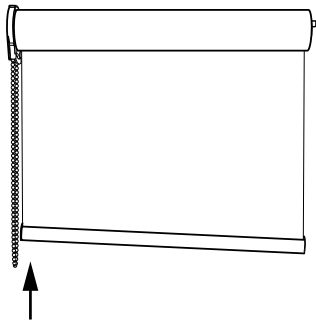


CAUTION: DO NOT DISCARD PIN

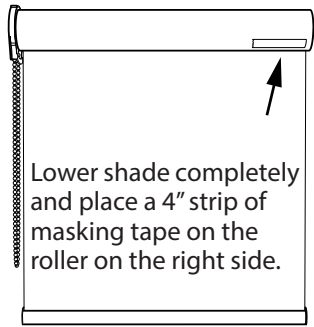
Pin must be reinserted before removal from brackets or shade will become inoperable

Operate shade after installation to ensure proper operation

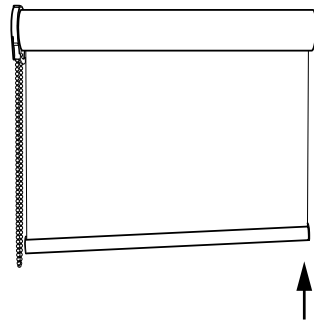
If shade Skews some Shimming may be required



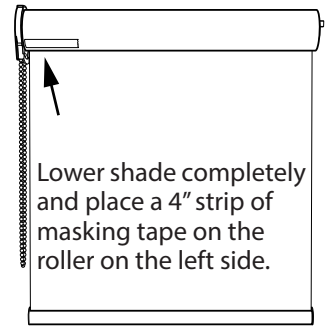
If shade skews up on the left side



Lower shade completely and place a 4" strip of masking tape on the roller on the right side.



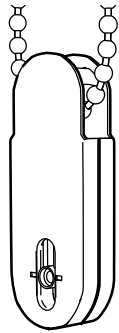
If shade skews up on the right side



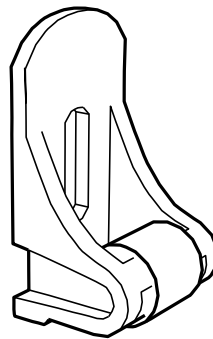
Lower shade completely and place a 4" strip of masking tape on the roller on the left side.

Repeat as necessary until a straight roll is achieved

4 Install Cord Tensioner, Hold Down, Chain Stop

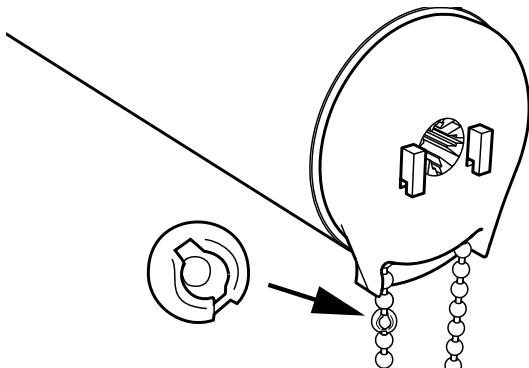


See Cord Tension Lock installation instructions



See Hold Down installation instructions

IMPORTANT: Cord tensioners must be properly installed and secured

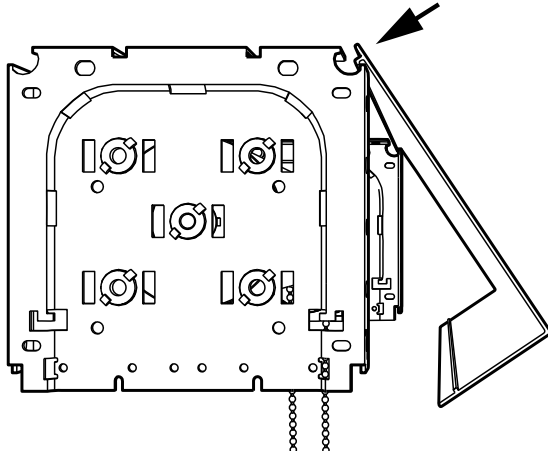


Lower Shade to desired length.

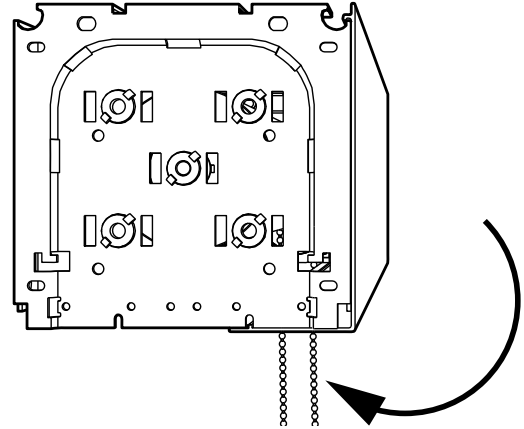
On the front of the chain directly below the clutch, attach the round stop to the first bead on the chain.

This will prevent the shade from being lowered beyond the desired length.

5 Install Fascia



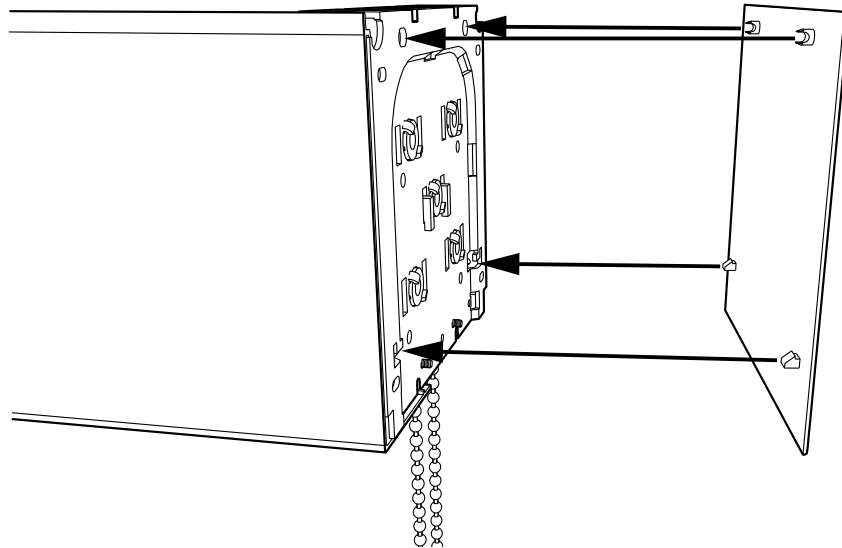
Rest the top of the Fascia on the top of the brackets



Rotate the Fascia forward until it snaps onto the bottom tabs of the bracket

6 Install Bracket Covers

Snap on Cover



Line up Bracket Cover pegs with the holes on the Bracket and snap into place