

Installation Instructions

3 and 4 inch Fascia

Thank You

Thank you for choosing your Genesis® Custom Window Shades
With proper installation and care, your new shades will provide many years of beauty and performance.

Before Installing

Remove shade from the package. Keep all packaging until shade operates to your satisfaction. Contents of your hardware package may vary depending on options chosen.
Additional fasteners may be needed on your specific mounting surface (not included).

Tools Needed



Pencil



Screw Driver



Level

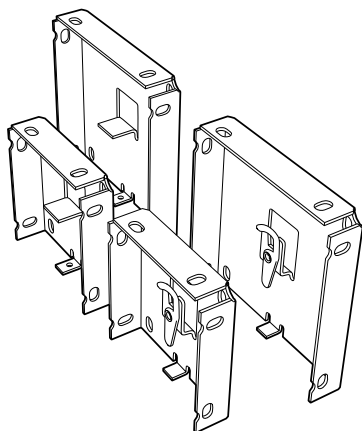


Measuring tape

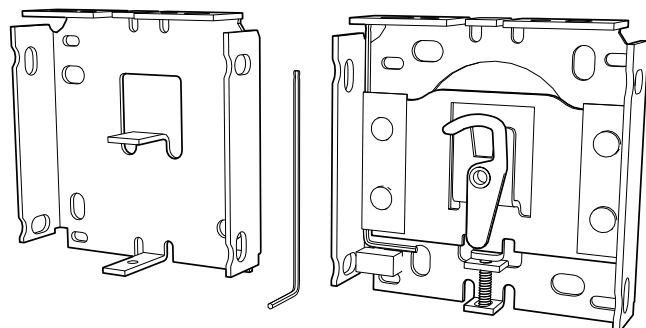


Drill

1 Determine Bracket Location



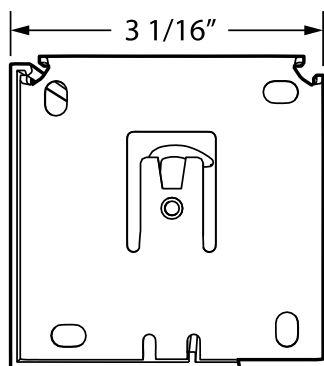
Your Shades come with the appropriate number of brackets for your shade and can be installed either Inside Mount or Outside Mount



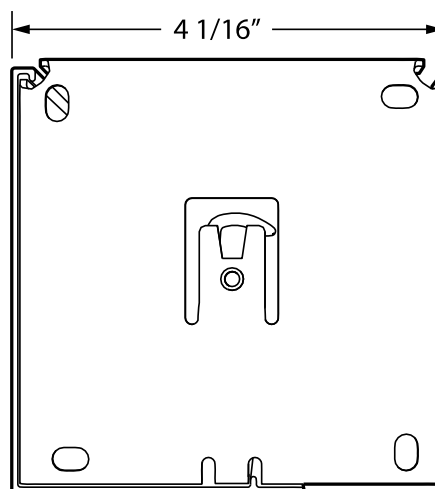
Your order may have come with either 3 or 4 inch Adjustable Brackets

INSIDE MOUNT

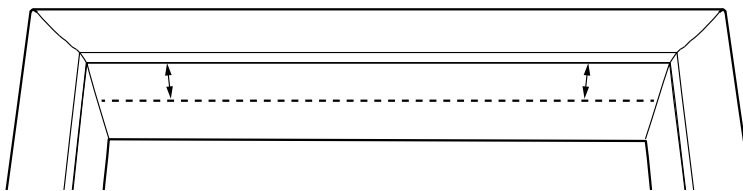
3" Fascia



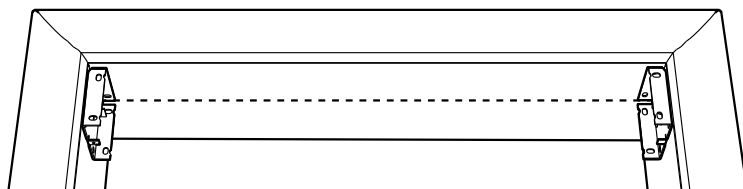
4" Fascia



For fully recessed installation measure brackets from the back of the Bracket to the front of the Fascia



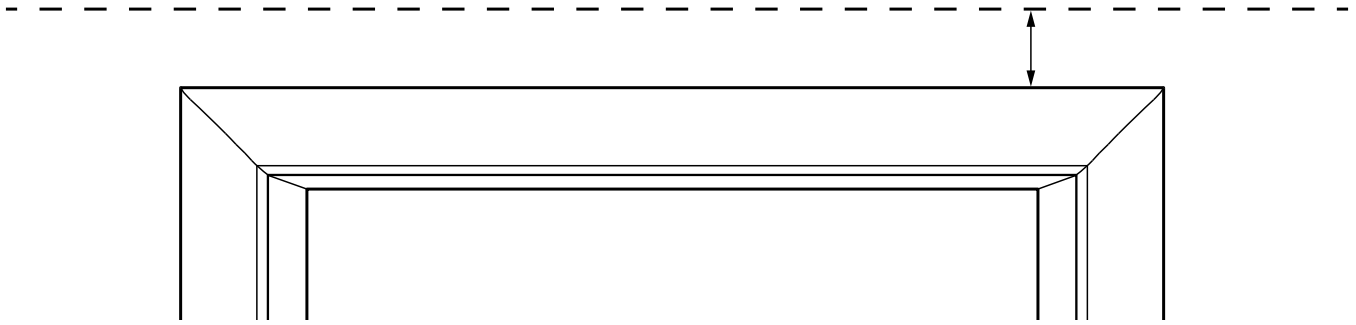
Measure on Both sides from the front of the window opening to the depth you want and make a mark



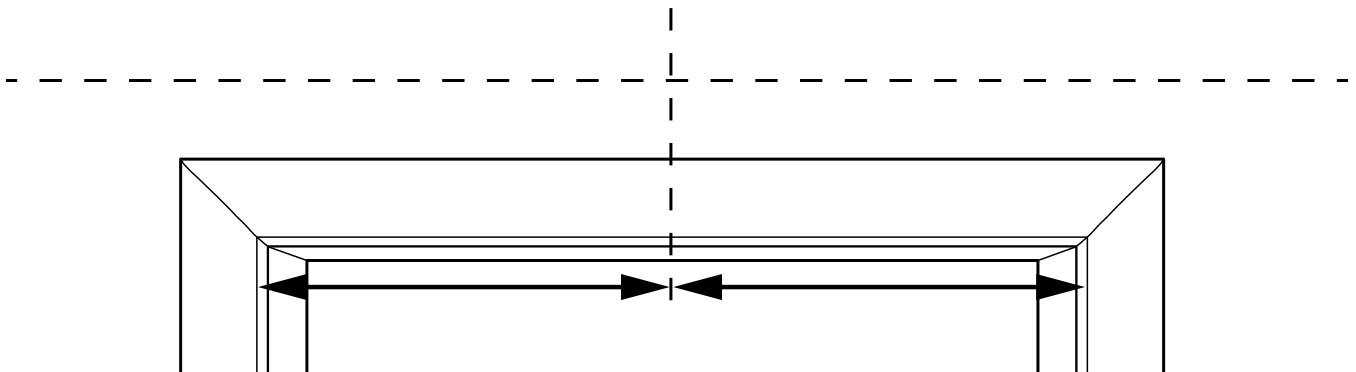
Mark location of both screw holes in the brackets lined up on the lines and pre-drill with a 1/8" drill bit

OUTSIDE MOUNT

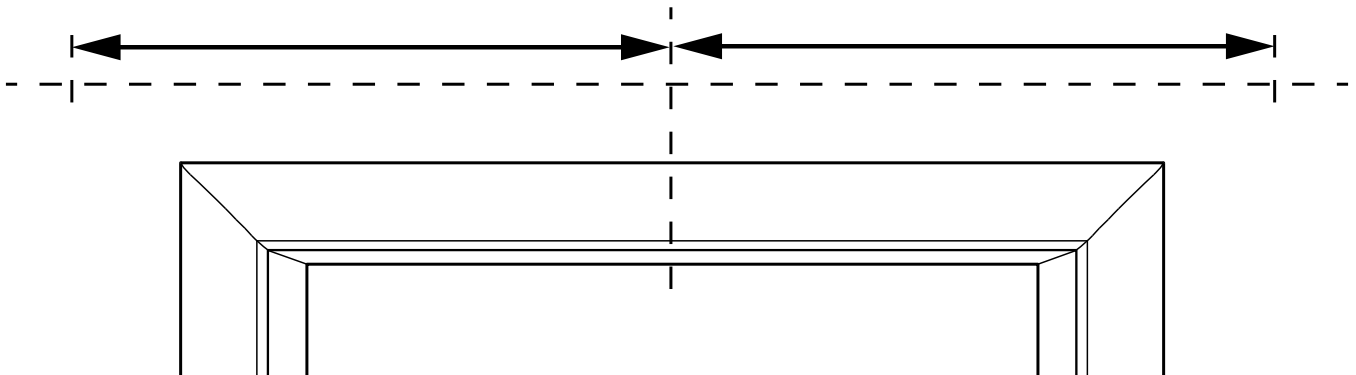
Determine height placement of blind and make a level line above the window opening



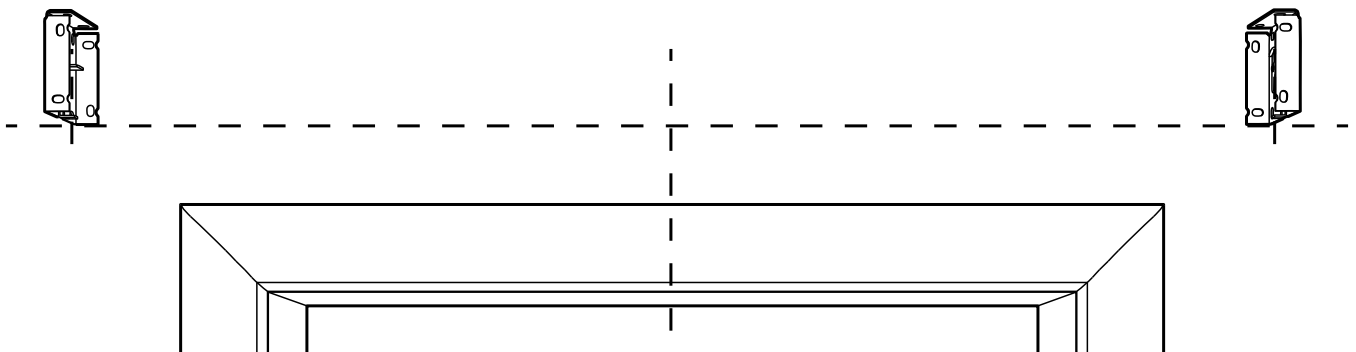
Find the center of the window opening and mark the location on your height line



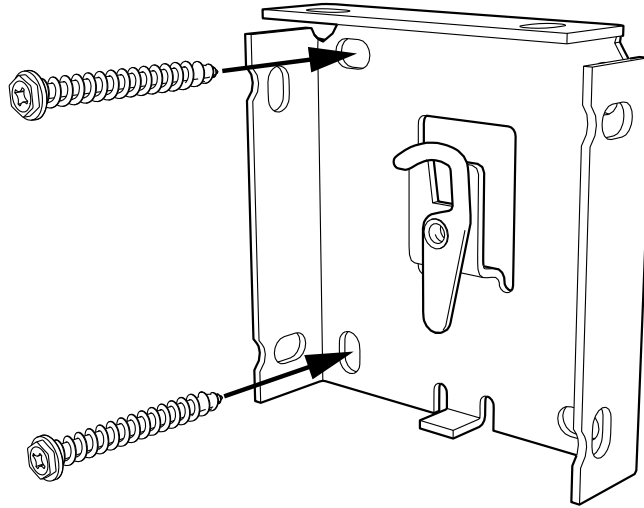
Mark lines at half the ordered width from both sides of the center line



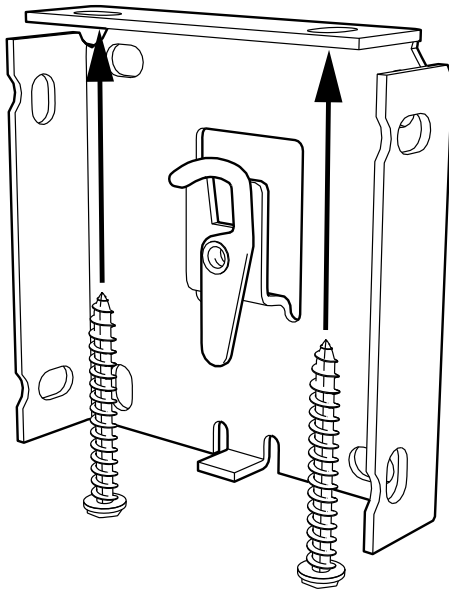
Mark location of both screw holes in the brackets lined up on the lines and pre-drill with a 1/8" drill bit



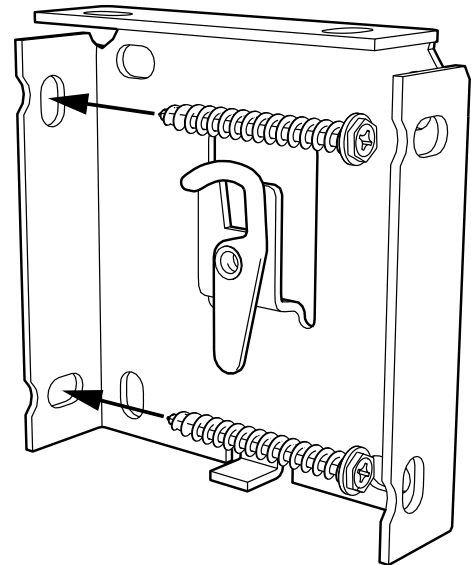
2 Install Brackets INSIDE



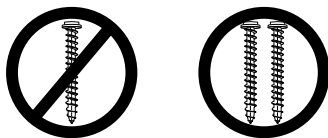
CEILING



OUTSIDE



Use the same process for the other side. 3" and 4" Brackets and the Adjustable Brackets install the same way

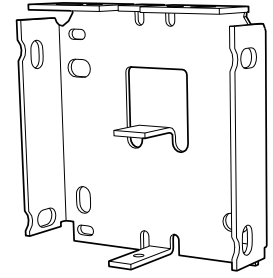


IMPORTANT: Two screws are needed to attach each installation bracket

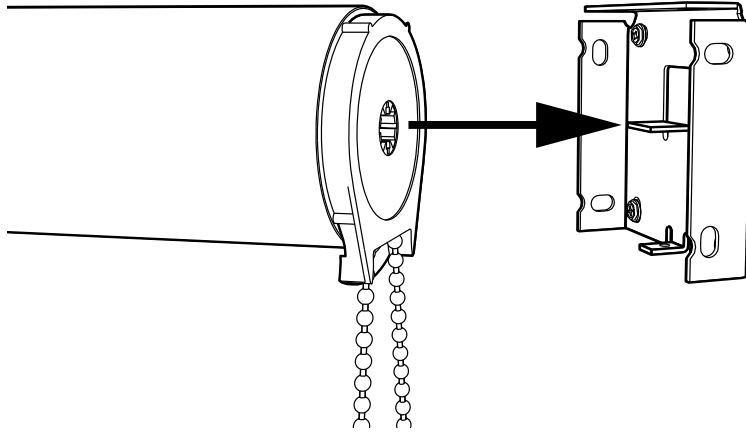
IMPORTANT: Brackets must be level and plumb to each other to ensure proper operation
Some shimming may be required

3 Install Shade

Install control side first on the Bracket with the Flat Tab

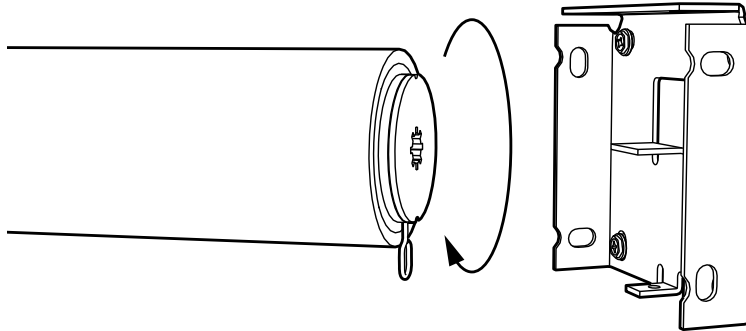


CLUTCH

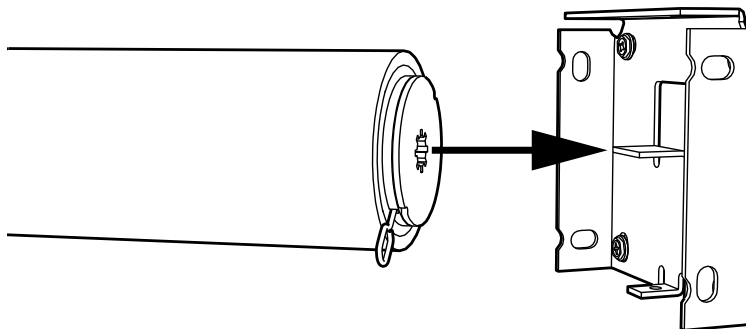


Push the clutch end of the shade straight onto the bracket with the Tab

ACCU-RISE



Rotate roller so that the Accu-Rise Pin is not straight up and down

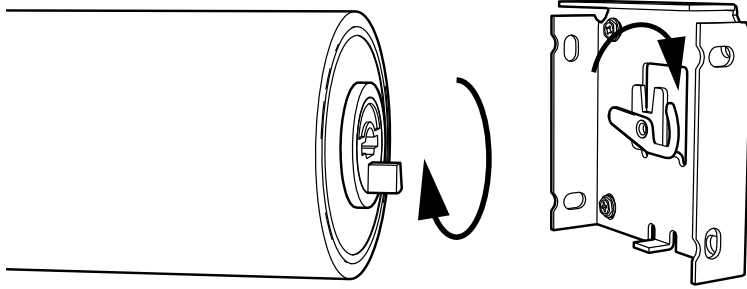


Push the clutch end of the shade straight onto the bracket with the Tab



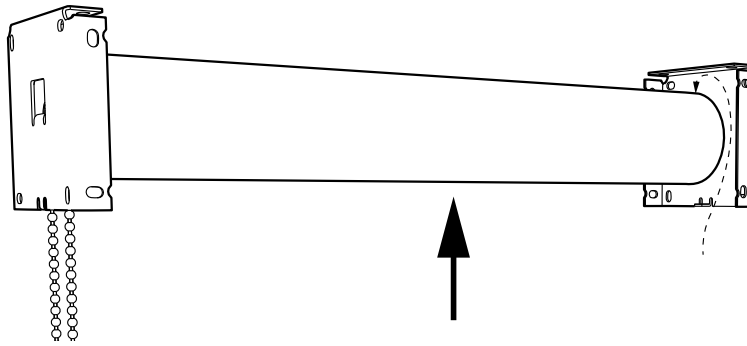
CAUTION: DO NOT remove pin until shade is fully seated in brackets or shade will become inoperable

Idle End

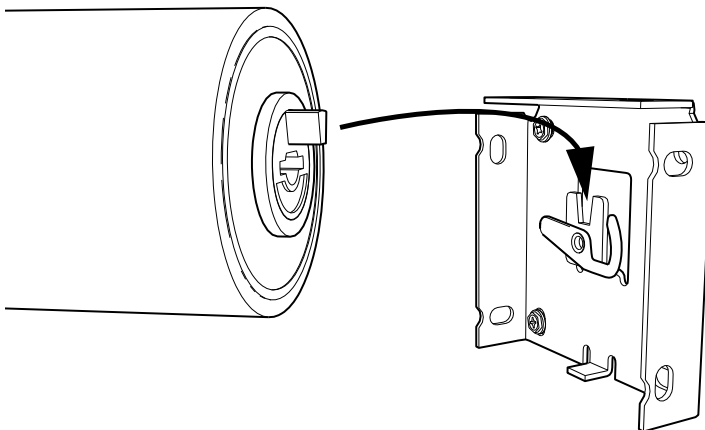


Make sure the Hook on the Bracket is open and out of the way of the V notch

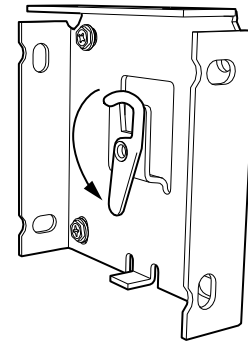
Rotate Idle End to the top of the roller



Support the shade from the middle and guide the Idle End around the bracket to the top of the V Notch



Guide the Idle End onto the V Notch of the Bracket

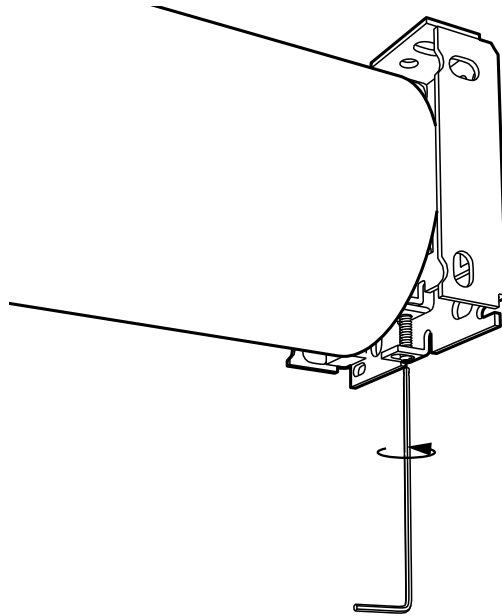


When the Idle End is seated in the V Notch rotate the Hook to secure the shade

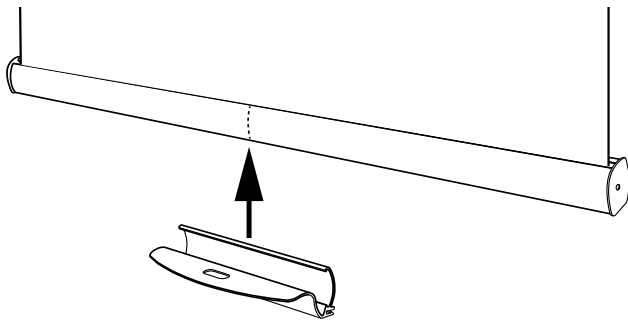
Adjust Brackets (optional)



If shade is unlevel with the Adjustable Brackets you can use the Hex Key to adjust the Idle End bracket up and down until it's level

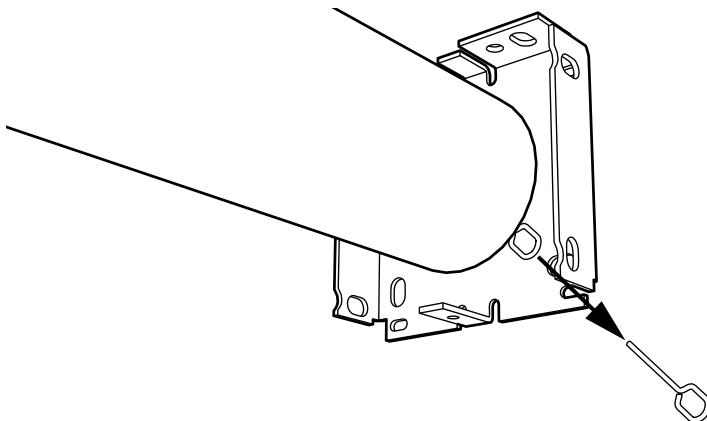


Install Accu-Rise Handle



Find Center of bottom Rail and snap on the Accu-Rise Handle

Remove Accu-Rise Pin



With the shade secured, remove the Accu-Rise Pin and do not discard

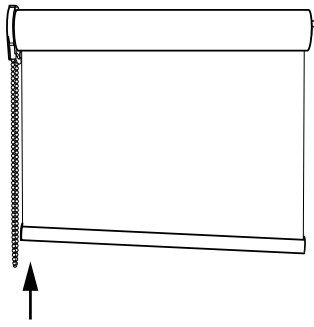


CAUTION: DO NOT DISCARD PIN

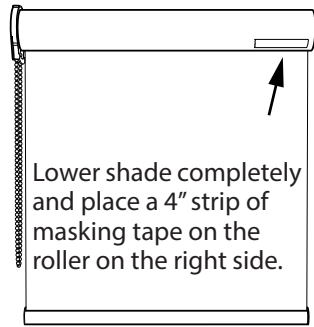
Pin must be reinserted before removal from brackets or shade will become inoperable

Operate shade after installation to ensure proper operation

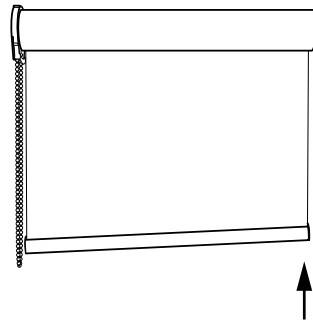
If shade Skews some Shimming may be required



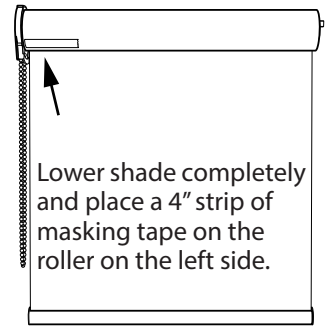
If shade skews up on the left side



Lower shade completely and place a 4" strip of masking tape on the roller on the right side.



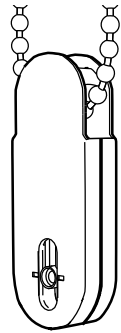
If shade skews up on the right side



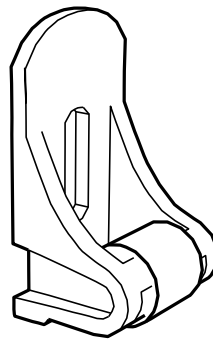
Lower shade completely and place a 4" strip of masking tape on the roller on the left side.

Repeat as necessary until a straight roll is achieved

4 Install Cord Tensioner, Hold Down, Chain Stop

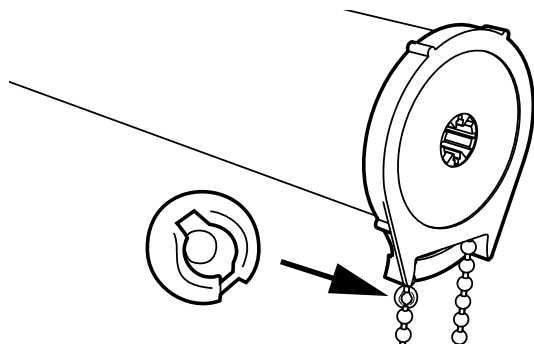


See Cord Tension Lock installation instructions



See Hold Down installation instructions

IMPORTANT: Cord tensioners must be properly installed and secured

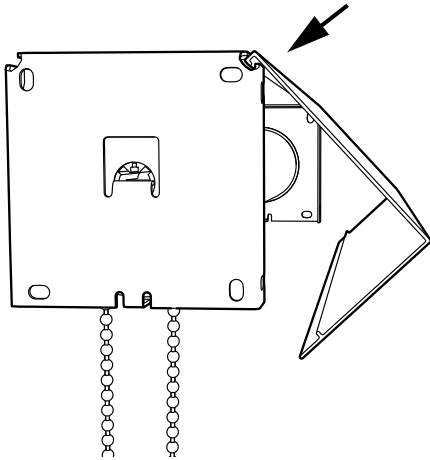


Lower Shade to desired length.

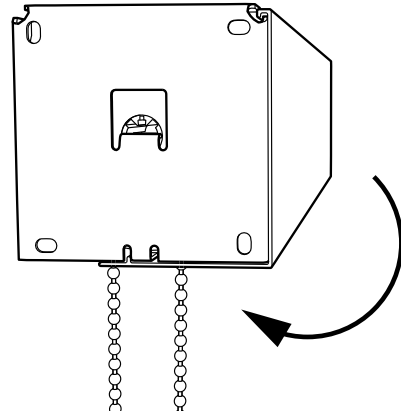
On the front of the chain directly below the clutch, attach the round stop to the first bead on the chain.

This will prevent the shade from being lowered beyond the desired length.

5 Install Fascia



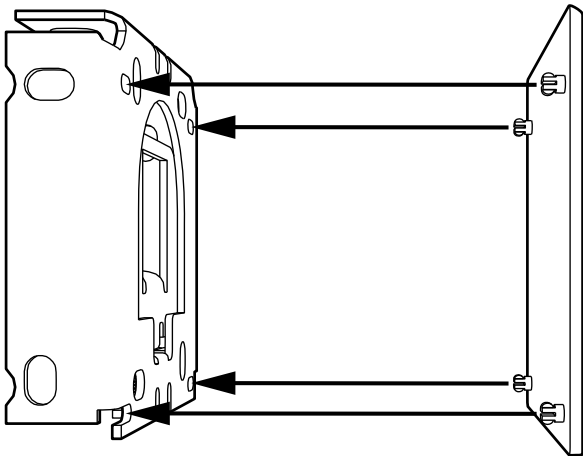
Rest the top of the Fascia on the top of the brackets



Rotate the Fascia forward until it snaps onto the bottom tabs of the bracket

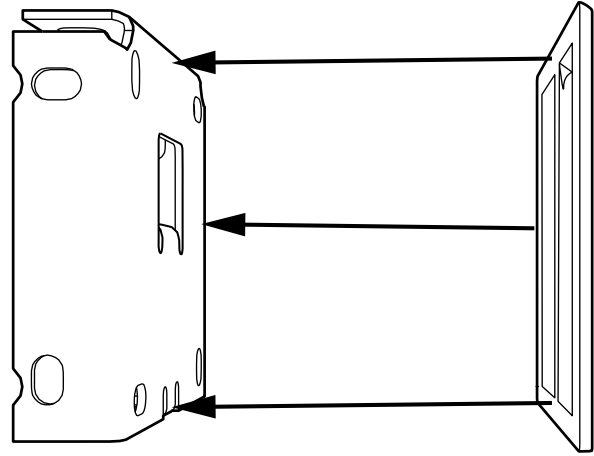
6 Install Bracket Covers

Snap on Cover



Line up Bracket Cover pegs with the holes on the Bracket and snap into place

Tape Cover



Remove tape cover and center on the bracket and press onto bracket